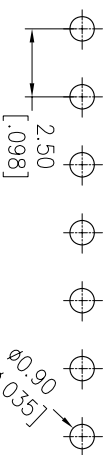
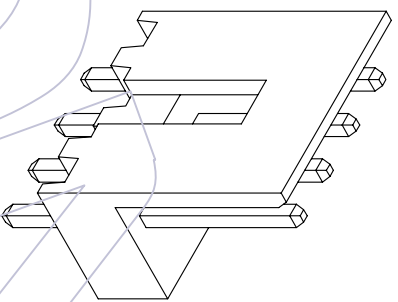
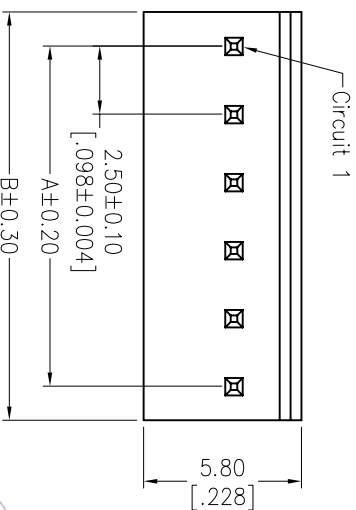


# HSF

**NOTES:**

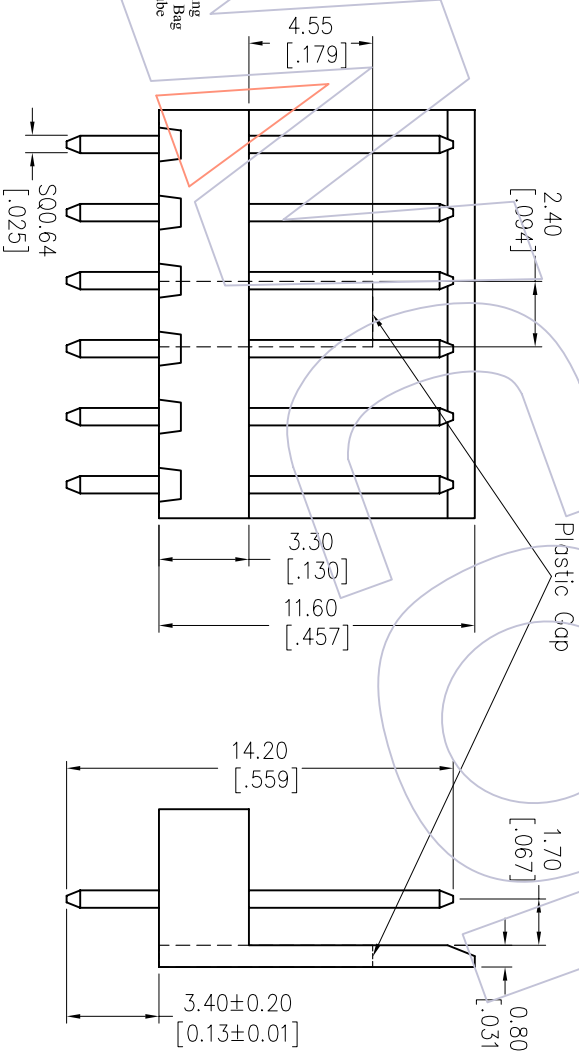
Rated Current: 3.0A  
 Rated Voltage: 250V AC/DC  
 Contact Resistance: 20mΩ max  
 Withstand Voltage: 800V AC/Minute  
 Insulation Resistance: 500MΩ min  
 Operation Temperature: -25°C to+85°C

Contact Material: Brass  
 Contact Plating: Au Or Sn over Ni  
 Insulator Material: PA66(Ul94V-0)



**Dimensional & Ordering Information**

| Circuit | Part No.       | Dimension |       |
|---------|----------------|-----------|-------|
|         |                | A         | B     |
| 02      | WF2510-WS02XX1 | 2.50      | 5.00  |
| 03      | WF2510-WS03XX1 | 5.00      | 7.50  |
| 04      | WF2510-WS04XX1 | 7.50      | 10.00 |
| 05      | WF2510-WS05XX1 | 10.00     | 12.50 |
| 06      | WF2510-WS06XX1 | 12.50     | 15.00 |
| 07      | WF2510-WS07XX1 | 15.00     | 17.50 |
| 08      | WF2510-WS08XX1 | 17.50     | 20.00 |
| 09      | WF2510-WS09XX1 | 20.00     | 22.50 |
| 10      | WF2510-WS10XX1 | 22.50     | 25.00 |
| 11      | WF2510-WS11XX1 | 25.00     | 27.50 |
| 12      | WF2510-WS12XX1 | 27.50     | 30.00 |
| 13      | WF2510-WS13XX1 | 30.00     | 32.50 |
| 14      | WF2510-WS14XX1 | 32.50     | 35.00 |
| 15      | WF2510-WS15XX1 | 35.00     | 37.50 |



**Ordering Information**

WF2510 - WS XX XX X 1

No. of pins Contact Plating Color Packing  
 02-15P S=Gold Flash/Tin P=Black O=PE Bag  
 S3=0u"Gold/Tin T=Normal  
 S4=5u"Gold/Tin W=White T=Tube  
 S5=30u"Gold/Tin  
 G0=Gold Flash  
 G3=10u"Gold  
 G4=15u"Gold  
 G5=30u"Gold  
 Blank=1m

| REV | DATE       | MODIFICATION DESCRIPTION | CHANGE | OPERATION               | DRAW     | DATE       | SCALE | FIT  | PART NO.           |
|-----|------------|--------------------------|--------|-------------------------|----------|------------|-------|------|--------------------|
| A0  | 2012/09/07 | NEW                      |        | XX<br>XX<br>XX<br>X.XXX | JY Huang | 2012/09/07 | mm    | A4   | SEE TAB            |
|     |            |                          |        | Angle ± 3°              | CHECK    | DATE       | UNIT  | SIZE | TITLE:             |
|     |            |                          |        | DIM TOL                 | APPROVE  | DATE       | SHEET | 1/1  | 2.50 WAFER 180°DIP |
|     |            |                          |        |                         | PROJ.    |            |       |      | Customer NO.       |

**WCON**  
 Http: www.wcon-china.com

WCON-Dongguan Tel: +86 769 85358920  
 WCON-Kunshan Tel: +86 512 57468408  
 Fax: +86 769 85358915 Fax: +86 512 57468488  
 E-mail: sales@wcon-china.com E-mail: wconks@wcon-china.com