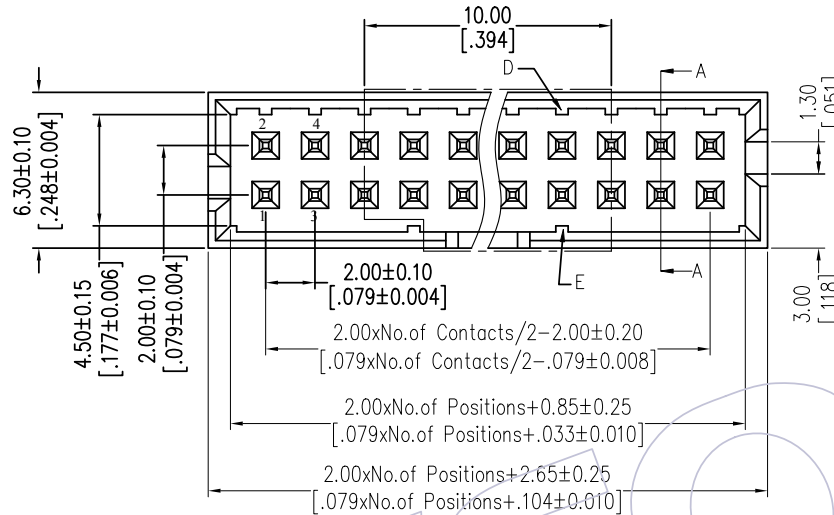


# HSF

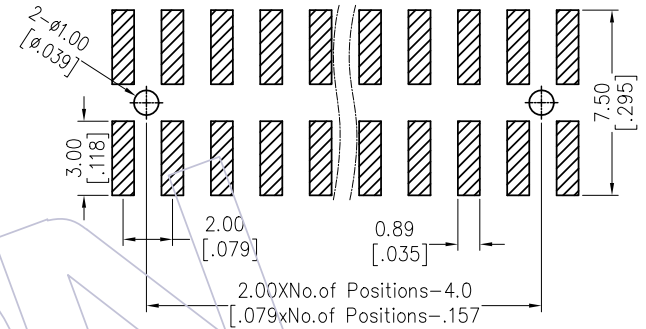
**NOTES:**

Current Rating: 2.0AMP  
 Contact Resistance: 20mΩ Max  
 Withstand Voltage: 500V AC/DC  
 Insulation Resistance: 1000MΩ Min  
 Operation Temperature: -40℃ to +105℃

Contact Material: Brass  
 Contact plating: Au Or Sn over Ni  
 Insulator Material: PA9T+33%G.F UL94V-0  
 6Pin Without structure "D", "E"



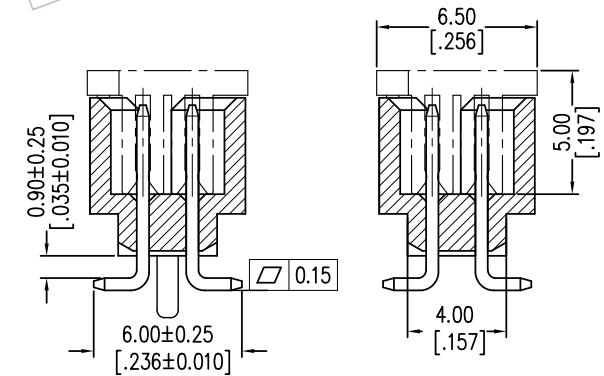
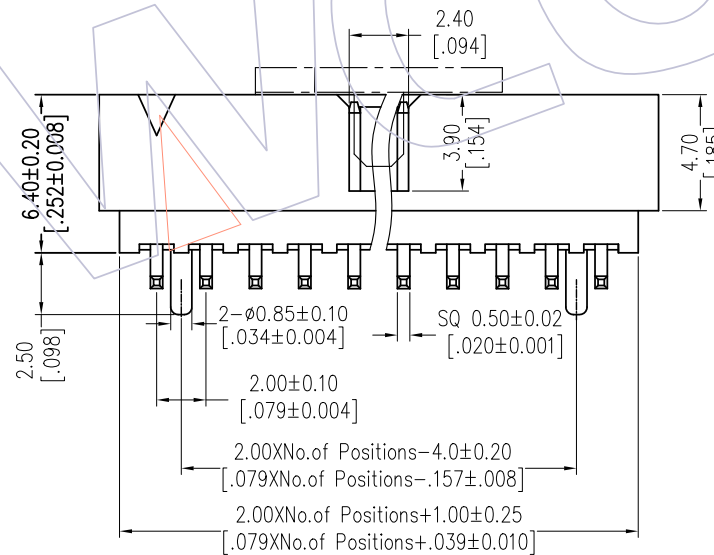
Recommended P.C.B Layout (Top Side)  
 (PCB BOARD TOLERANCE ±0.05)



## Ordering Information

3121A-XX M XX B K00 X X

△	No. of Pins	Contact Plating	Color Insulator	Packing	Series No.
	6 26	G0=Gold Flash	B=Black	1=Type 1	
	8 30	G3=10u"Gold		T=Tube 2=Type 2	
	10 34	G4=15u"Gold		P=Tube+CAP	
	14 40	G5=30u"Gold		R=Tape&REEL+CAP	
	16 44	S0=Gold Flash/Tin			
	20 50	S3=10u"Gold/Tin			
	24	S4=15u"Gold/Tin			
		S5=30u"Gold/Tin			
		SN=Tin			



TYPE 2 WITH POST

TYPE 1 W/O POST

SECTION A-A

Item	Pitch	Mating
Standard	2.00	5223
Alternate		

OPERATION	DRAW	DATE	SCALE	FIT	PART NO.
x.x ±0.40	Allen	2015/08/27	UNIT mm		3121A-XXMXXBK00XX
x.xx ±0.25	CHECK	DATE	SIZE A4		TITLE:
x.xxx ±0.15	APPROVE	DATE	SHEET 1/1		2.00 BOX HEADER SMT H=6.4 WITHOUT CUT
Angle ± 3°			PROJ.		Customer NO.
DIM TOL					

**WCON**  
 Http: www.wcon.com

WCON-Dongguan  
 Tel: +86 769 85358920  
 Fax: +86 769 85358915  
 E-mail: sales@wcon.com

WCON-Kunshan  
 Tel: +86 512 57468408  
 Fax: +86 512 57468468  
 E-mail: salesks@wcon.com

REV	DATE	MODIFICATION DESCRIPTION	CHANGE
A1	2015/08/27	Modify	△
AO	2012/09/21	NEW	-----