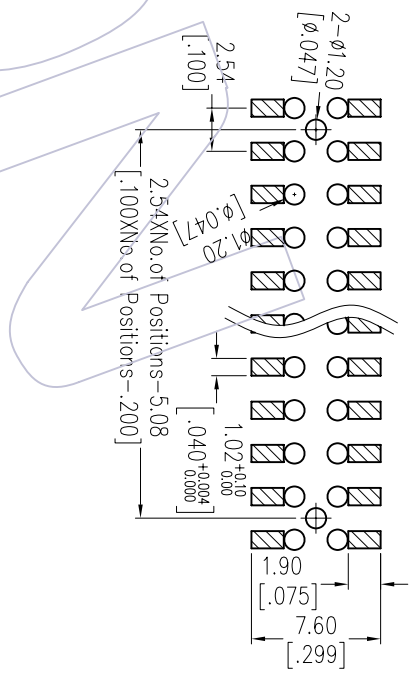
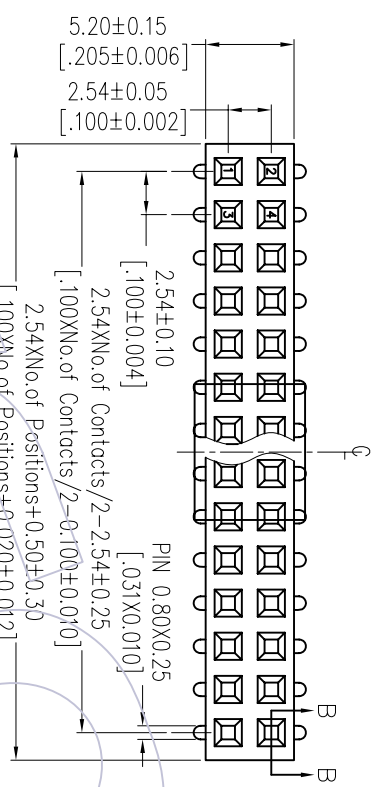


# HSF

Recommended P.C.B Layout (Top Side)  
(PCB BOARD TOLERANCE±0.05)

**NOTES:**

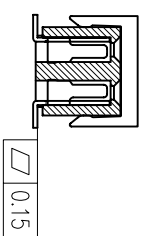
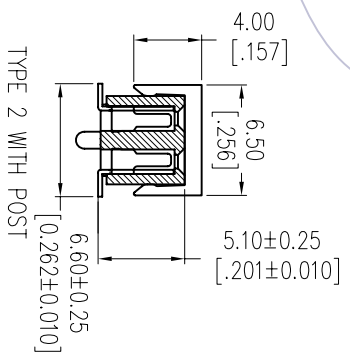
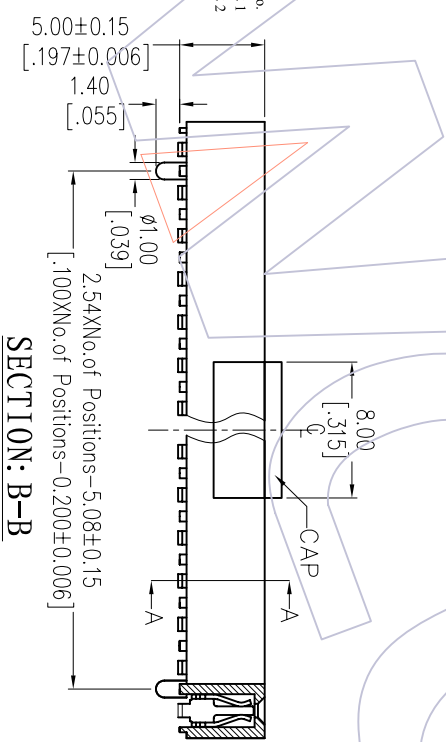
- Current Rating: 3.0AMP
- Contact Resistance: 20mΩ Max
- Withstand Voltage: 1000V AC/DC
- Insulation Resistance: 1000MΩ Min
- Operation Temperature: -40°C to +105°C
- Contact Material: Phosphor Bronze
- Contact plating: Au Or Sn over Ni
- Insulator Material: PA9T+30%G.F UL94V-0



## Ordering Information

2150 - 2 XX M XX C U N X X

- No. of Pins per ROW: 02-40PIN
- Contact Plating: G0=Gold Flash, G1=10µ"Gold, G2=15µ"Gold, G3=30µ"Gold, G4=50µ"Gold, S0=Gold Flash/Tin, S1=10µ"Gold/Tin, S2=15µ"Gold/Tin, S3=30µ"Gold/Tin, S4=50µ"Gold/Tin, SM=Matte Tin
- Packing: T=Tube, P=Tube+CAP, R=Tube&Reel+CAP
- Series No. 1=TYPE 1, 2=TYPE 2



Item	Pitch	Mating
Standard	2.54	1115/1120/1125
Alternate		

TITLE	PART NO.
TYPE 1	2150-2XXMXXCUNX1
TYPE 2	2150-2XXMXXCUNX2

REV	DATE	MODIFICATION DESCRIPTION
A0	2012/08/06	NEW

OPERATION	DRAW	DATE	SCALE	FIT
XX	JYHuang	2012/08/06	UNIT	mm
XX	CHECK	DATE	SIZE	A4
XX	APPROVE	DATE	SHEET	1/1
Angle	± 3'		PROJ.	

PART NO.	SEE TABLE
TITLE:	FIG. 54 DUAL ROW 180° SMT
H=5.0	
Customer NO.	

# WCON

Http: www.wcon.com  
 WCON-Dongguan Tel: +86 769 85358920 Fax: +86 769 85358915 E-mail: sales@wcon.com  
 WCON-Kunshan Tel: +86 512 57468408 Fax: +86 512 57468468 E-mail: sales@wcon.com