

# HSF

NOTES:  
 Rated Current:1.0AMP.  
 Contact Resistance:20mΩ Max.  
 Withstand Voltage:500V AC/DC  
 Insulation Resistance:1000MΩ Min.  
 Operation Temperature:-40°C to +105°C

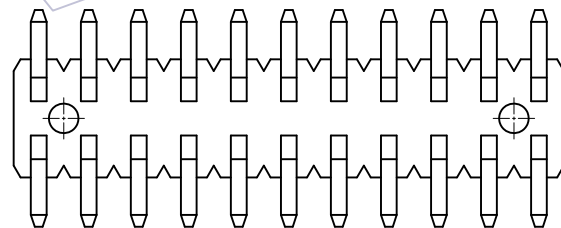
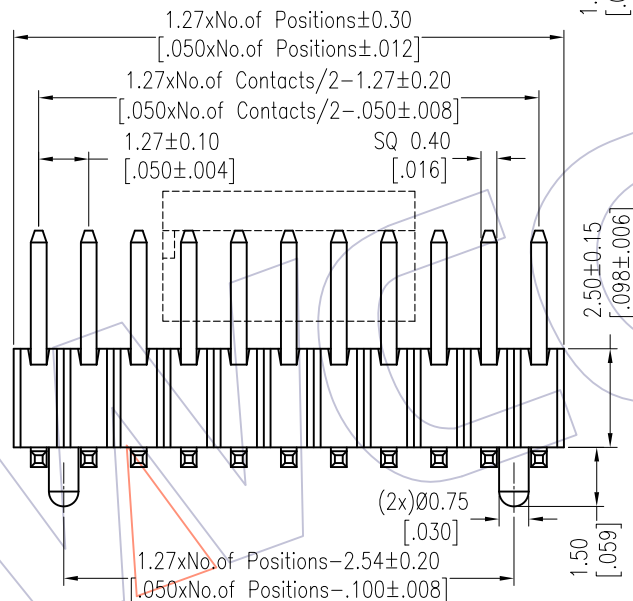
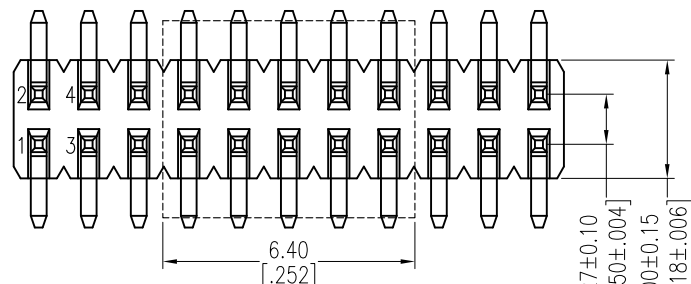
Contact Material:Brass  
 Contact Plating:Au or Sn Over Ni  
 Insulator Material:PA9T+33%G.F UL94V-0 BK

## Ordering Information

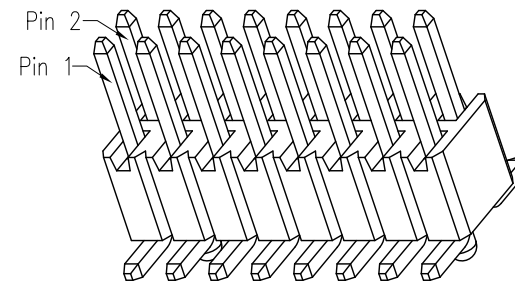
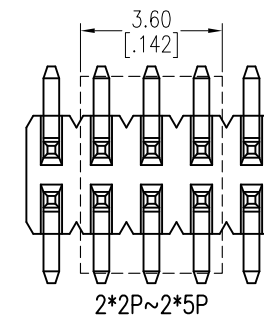
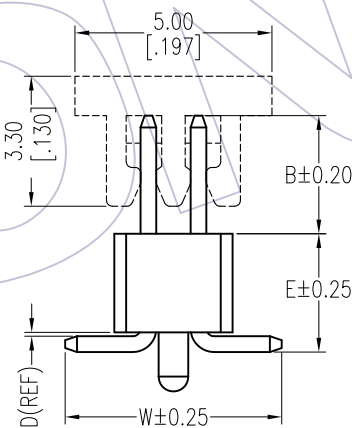
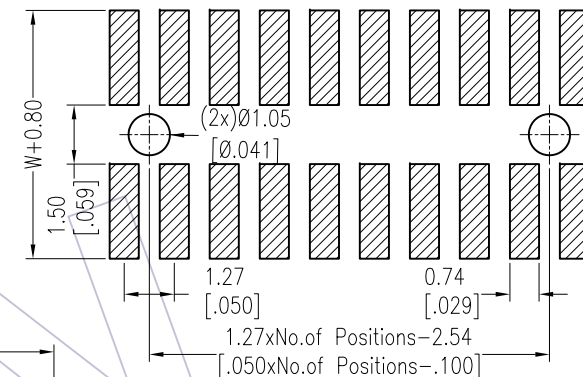
1325-12 XX XX M XXX C R XX

No.of Pins	Contact Plating	Pin Length	Insulator	Series No.	
Per Row:02~50	G0=Gold Flash G3=10u"Gold G4=15u"Gold G5=30u"Gold S0=Gold Flash/Tin S3=10u"Gold/Tin S4=15u"Gold/Tin S5=30u"Gold/Tin SN=Tin SM=Matte Tin	L=B+D+2.5+ $\frac{W-1.27}{2}$ Standard:066=6.6 077=7.7 087=8.7	C=PA9T	01~99	
				Packing	
				A=Tray	
				T=Tube	
				P=Tube+CAP	
				R=Tape&Reel+CAP	

Item	Pin Length	W	E	B	Mating
Standard	6.6	5.50	3.00	1.90	2321
	7.7	5.50	3.00	3.00	2334
	8.7	5.50	3.00	4.00	2344
Alternate					



## Recommended P.C.B Layout (Top Side) (PCB BOARD TOLERANCE±0.05)



REV	DATE	MODIFICATION DESCRIPTION	CHANGE	OPERATION	DRAW	DATE	SCALE	Fit	PART NO.
A2	2018/01/18	MODIFY PART NO.	-----	x.X ±0.40	William Chen	2018/01/18	UNIT	mm [inch]	1325-12XXXXMXXXCXXX
A1	2013/02/16	Mofidy Drawing	-----	x.XX ±0.25	CHECK	DATE	SIZE	A4	TITLE:
A0	2012/03/31	NEW	-----	x.XXX ±0.15	APPROVE	DATE	SHEET	1/1	1.27 Pin Header, DUAL ROW, SMT, WITH POST, H=2.5
				Angle ± 3'			PROJ.		Customer NO.
				DIM TOL					



Http: [www.wcon.com](http://www.wcon.com)

WCON-Dongguan Tel: +86 769 85358920 Fax: +86 769 85358915 E-mail: <a href="mailto:sales@wcon.com">sales@wcon.com</a>	WCON-Kunshan Tel: +86 512 57468408 Fax: +86 512 57468468 E-mail: <a href="mailto:sales@wcon.com">sales@wcon.com</a>
---	--