

SPECIFICATIONS

Rated (额定参数): 300V, 8A

Dielectric strength (抗电强度): AC1500V/1 Minute

Insulation Resistance (绝缘电阻): 1000MΩ Min

Contact Resistance (接触电阻): 20mΩ Max

Wire Range (线径): .28~16AWG

Strip length (剥线长度): 8-9mm

Temp. range (操作温度): -40 °C~+105 °C

MAX Soldering (瞬时温度): +250 °C, 5s

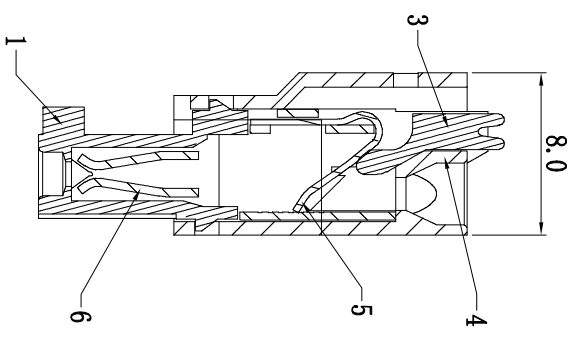
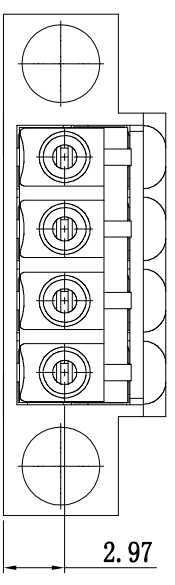
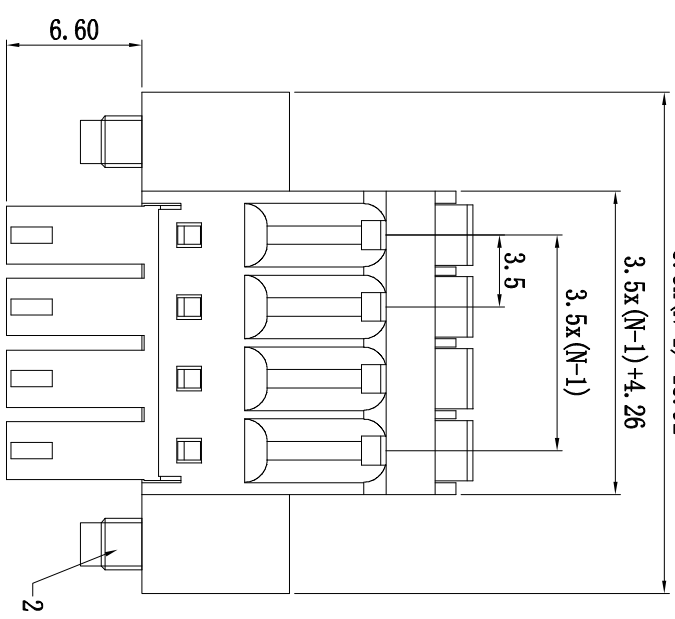
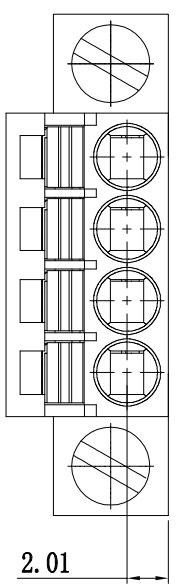
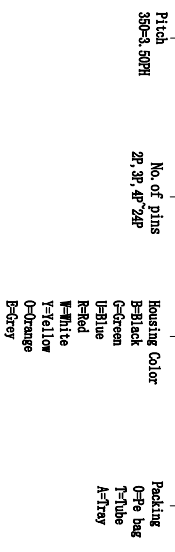
Housing Material (塑件): PA66 (UL94 V-0)

Contact (端子): Phosphor Bronze, Tin plating (磷铜镀锡)

PITCH RANGE IN MM	NOMINAL DIMENSION RANGE IN MM				
	OVER	OVER	OVER	OVER	OVER
T0 6	10 T0	T0 30	30 T0	60 T0	100 T0
6 10	24	30	60	100	150
±0.10	±0.15	±0.25	±0.30	±0.30	±0.50
					±0.70
					±1.00

Ordering Information

JL15EDGKNM - 350 XX G 0 1



REVISION RECORD			
REV	ECN	DESCRIPTION	DATE
A0		NEW	21.04.24

DRAW	SHUANGPING ZHENG	SCALE	FIT	<p>东莞市锦凌电子有限公司 DONGGUAN JINLING ELECTRONIC CO., LTD</p>	PART NO.	JL15EDGKNM-350XXG01
CHECK	LICHAO LIU	UNIT	mm			
APPROVE	YONGLIANG GAO	SIZE	A4			
		SHEET	1/1	TITLE:		JL15EDGKNM-3-5-XXP插拔式母座/绿色/带耳