

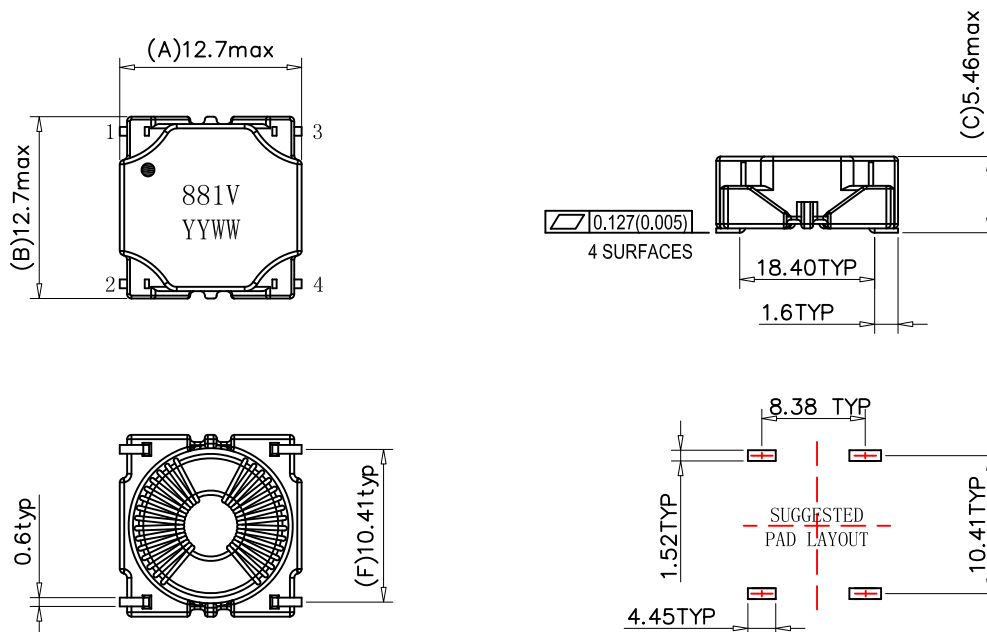
- Common mode chokes for AC Power lines
- High impedance to minimize common mode noise
- Excellent EMI performance
- Operate temperature range: -40 °C to +125 °C (Including self temperature rise)
- Storage temperature range: -40 °C to +125 °C



Electrical Specifications @25 °C

Part Number	OCL @10KHz, 0.02V	DCR	Turns Ratio	Rated Current	Hi-Pot 1mA/6S/60Hz
		1-2, 3-4	1-2, 3-4		1-2:3-4
CM0409CGA	880uH ±30%	110mΩ Max.	1:1 ±3%	1.63A	1000Vac

MECHANICAL(UNIT:mm)



SCHEMATICS

