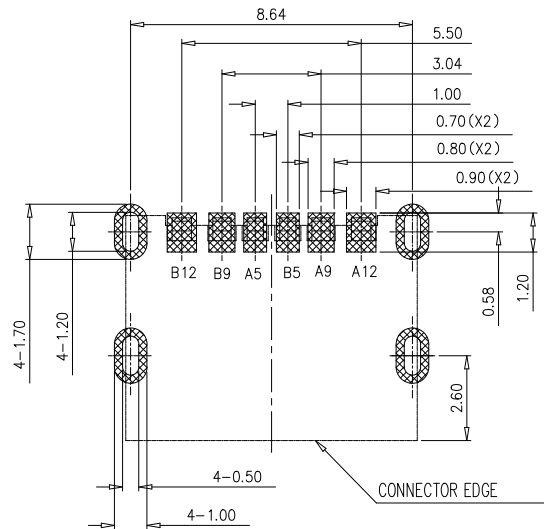
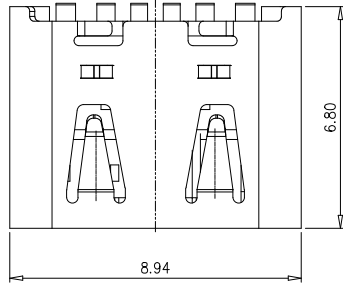


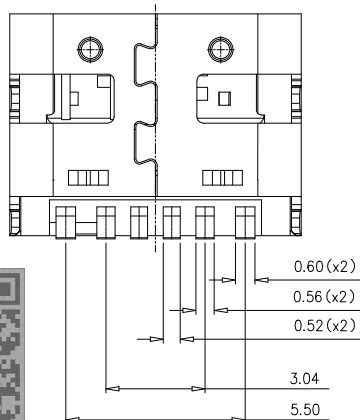
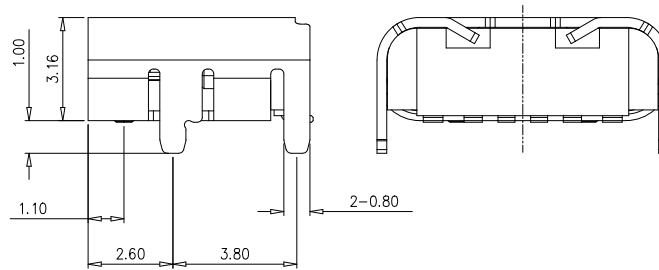
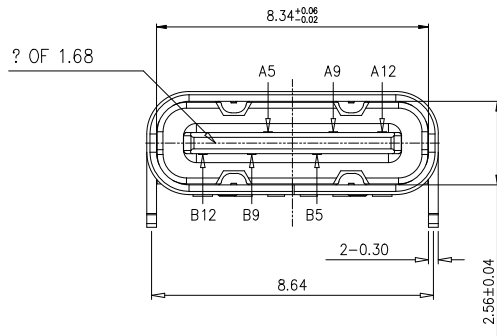


Rev No.	Description of Revision	Date	Name	Approved	ECN No.
X					



RECOMMENDED PCB LAYOUT (TOP VIEW)

THICKNESS 1.6±0.10MM; DEFAULT TOLERANCE: ±0.05

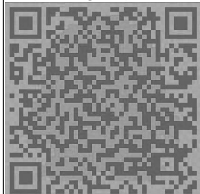


NOTE:

- MATERIAL SPECIFICATION:
 - HOUSING: HIGH TEMPERATURE RESISTANT PLASTIC, UL94 V-0.
 - CONTACTS: COPPER ALLOY
 - MID PLATE: STAINLESS STEEL
 - FRONT SHELL: STAINLESS STEEL
- PLATING SPECIFICATION:
 - CONTACTS:
 - Ni 50u" MIN. UNDER PLATED OVER ALL.
 - Au PLATED ON THE FUNCTIONAL AREA OF CONTACT. (GOLD PLATING THICKNESS FOLLOW THE P/N)
 - PLATING SPECIFICATIONS OF THE SOLDER AREA FOLLOW THE P/N
 - FRONT SHELL:
 - SEE TABLE 1.
 - SHIELD PLATE&EMI PLATE:
 - CLEAR ONLY
- MECHANICAL PERFORMANCE,
 - INSERTION FORCE: 0.5~2.0kgf.
 - REMOVAL FORCE: 0.8kgf~2.0kgf.
 - DURABILITY: 10000 CYCLES.
- ELECTRICAL PERFORMANCE,
 - CURRENT RATING: 5.0A
VOLTAGE RATING: 5.0V
 - LLCR:
 - VBUS & GND PINS AND OTHER PINS: 40mΩ/PIN MAX.
 - SHIELD: 50mΩ/MAX.
 - LLCR MAX. CHANGE OF ALL PINS: 10mΩ.
 - INSULATION RESISTANCE: 100MΩ MIN
 - DIELECTRIC WITHSTAND VOLTAGE, AC 100V FOR 1 MINUTE.
- ENVIRONMENTAL PERFORMANCE:
 - OPERATING TEMPERATURE: -25°C~+85°C.
- IR REFLOW:
 - THE PEAK TEMPERATURE ON THE BOARD SHALL BE MAINTAINED FOR 10 SECONDS AT 260°C.

型号: KH-TYPE-C-6P-T

技术详询



PIN ASSIGNMENTS

A5	CC1	B12	GND
A9	VBUS	B9	VBUS
A12	GND	B5	CC2
PIN	SIGNAL NAME	PIN	SIGNAL NAME

UNLESS OTHERWISE SPECIFIED TOLERANCES		深圳市金航标电子有限公司			
DECIMALS:	ANGLES	TITLE: TYPE-C 6Pin 板上型6.80mm 带双压片			
X. ±0.20	X' ±2'	Drwn. JACK.LJ	PART NO.		
X.X ±0.15	X.X' ±1'	Checked. PETER.LIU	SCALE: 1:8	UNIT: mm	PROJ.
X.XX ±0.10	X.XX' ±0.5'	Approved. JACK.D	SIZE: A4	SHEET: 1 OF 1	REV: A
X.XXX ±0.05		CUSTOMER COPY			