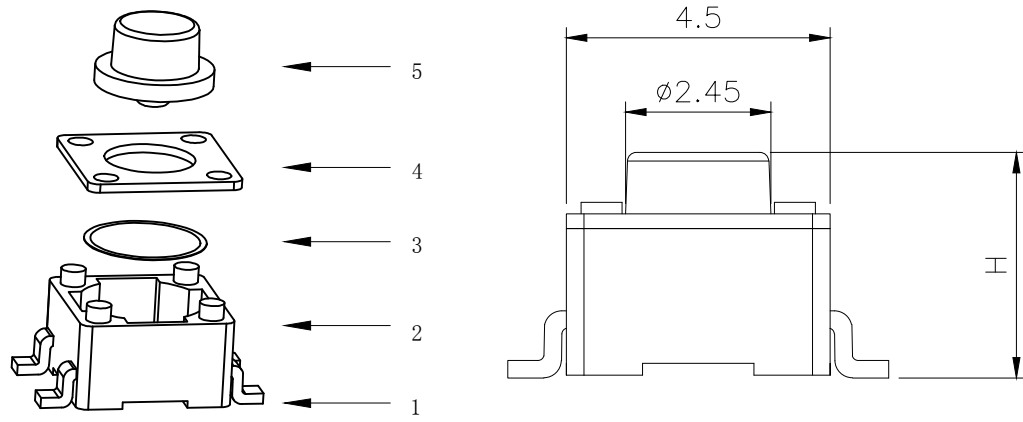


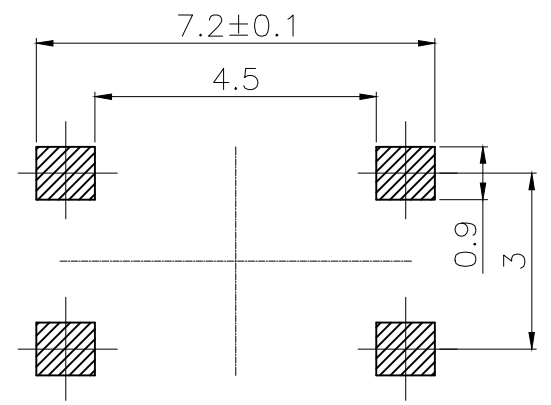
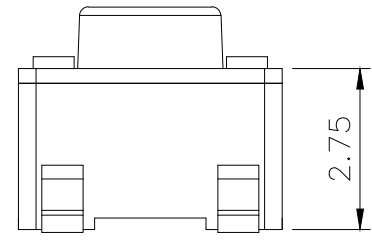
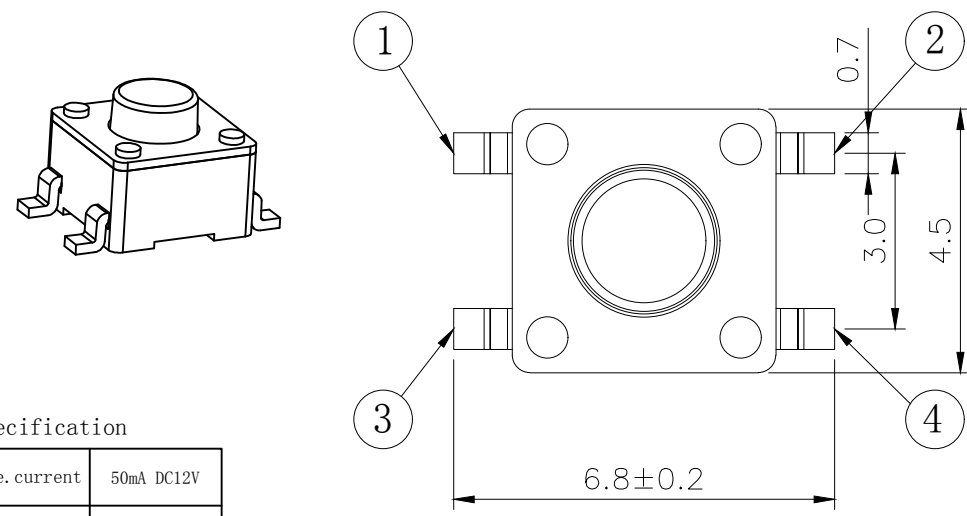
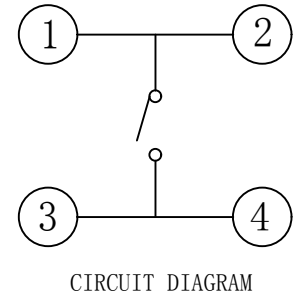
RoHS

CAD GENERATED DRAWING. DON'T CHANGE BY HAND.

REV.	ECN. NO.	APPD.



H			
A	3.5	B	3.8
C	4.0	D	4.3
E	4.5	F	4.8
G	5.0	H	6.0
I	7.0	J	8.0
K	9.0	L	9.5



Specification

Rate voltage. current	50mA DC12V
Contact resistance	≤100mΩ
Operating force	250±50gf
Travel	0.20±0.10mm
Insulated resistance	≥100MΩ
Dielectric strength	≥250VAC/1min
Life cycle	≥50000次

ITEM	PART NAME	Q' TY	MATERIAL	FINSH/COLOR
5	Button	1	PPA	Black
4	Cover	1	Iron	Copper tin plating
3	Shrapnel	1	Stainless steel	Silver
2	Housing	1	PPA	Black
1	Cards	1	Brass	Silver

X. ±0.50	X.° ±2°	UNITS mm
.X ±0.30	.X° ±1°	
.XX ±0.10	.XX° ±0.5°	MAT'L /
.XXX ±0.05		
THESE DRAWINGS AND SPECIFICATIONS ARE THE PROPERTY OF YIYUAN TECHNOLOGY CO.,LTD AND SHALL NOT BE REPRODUCED, COPIED OR USED IN ANY MANNER WITHOUT THE PRIOR WRITTEN CONSENT OF YIYUAN TECHNOLOGY CO.,LTD		FINISH /
		Q' TY /

		深圳市怡远科技有限公司 SHENZHEN YIYUAN TECHNOLOGY CO., LTD								
PART NO. YTS-C015-2H		TITLE: TACTILE SWITCH								
APPD: ROGER		DWG NO. : YTS-C015-2H								
CHKD: ROC		<table border="1"> <tr> <th>SCALE</th> <th>SHEET</th> <th>REV.</th> </tr> <tr> <td>1/1</td> <td>1/1</td> <td>A1</td> </tr> </table>			SCALE	SHEET	REV.	1/1	1/1	A1
SCALE	SHEET	REV.								
1/1	1/1	A1								
DR: BILLY WANG 2020/08/21										