



# BCT1814

## 2A, 1MHz Synchronous Step-Down Converter

# BCT1814

## 2A, 1MHz Synchronous Step-Down Converter

### GENERAL DESCRIPTION

The BCT1814 is a high efficiency, high frequency synchronous DC-DC step-down converter. The 100% duty cycle feature provides low dropout operation, extending battery life in portable systems.

The internal synchronous switch increases efficiency and eliminates the need for external Schottky diode. At shutdown mode, the input supply current is less than 1 $\mu$ A.

The BCT1814 integrates current limit , output Short protection and thermal protection.

The BCT1814 is available in a 5-pin SOT23-5 package, which provides a compact solution with minimal external components.

### FEATURES

- 2.7V~5.5V Input Voltage Range
- 2 A Output Current
- 1MHz Switching Frequency Minimizes the External Components
- Up to 95% efficiency
- 100% Duty Cycle in Dropout Operation
- Output Voltage as Low as 0.6V
- No Schottky Diode Required
- Internal soft-start
- Output short protection
- Output Auto-Discharge When EN Low
- Thermal protection
- SOT23-5 Packages

### APPLICATIONS

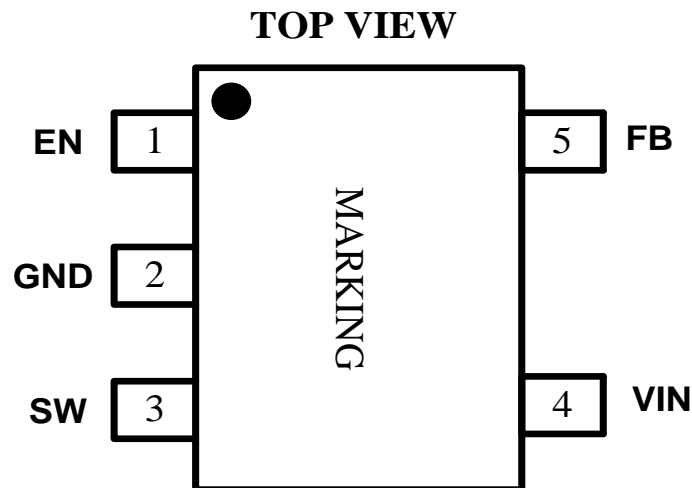
- Net PC
- Mini-Notebook PC
- Access Point Router
- Set Top Box
- LCD TV

### ORDERING INFORMATION

Order Number	Package Type	Temperature Range	Marking	QTY/Reel
BCT1814EUK-TR	SOT23-5	-40°C to +85°C	PEXX	3000

Note: "XX" in Marking will be appeared as the batch code.

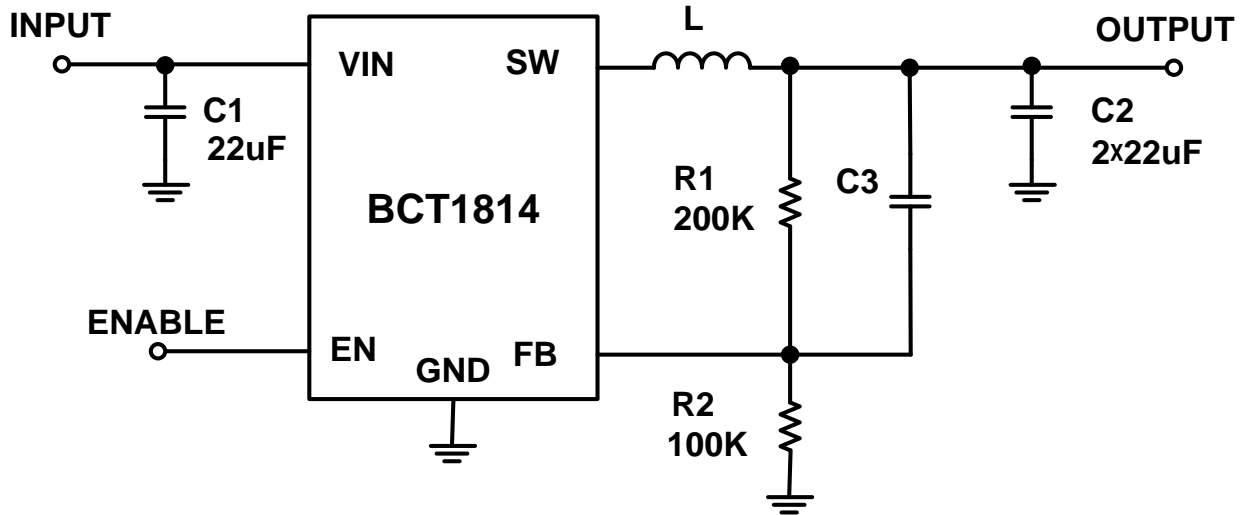
### PIN CONFIGURATION



### PIN DESCRIPTION

PIN	NAME	FUNCTION
1	EN	Drive EN pin high to turn on the regulator and low to turn off the regulator.
2	GND	Power ground pin.
3	SW	Power Switching Output. Connect an inductor to the drains of internal high side PMOS and low side NMOS.
4	VIN	Power Supply Input. Must be closely decoupled to GND with a 22 $\mu$ F or greater ceramic capacitor.
5	FB	Output feedback pin. FB senses the output voltage and is regulated by the control loop to 0.6V. Connect a resistive divider at FB.

### Typical Operating Circuit(VOUT=1.8V)



### ABSOLUTE MAXIMUM RATINGS

Input Supply Voltage.....	-0.3V to 6.0V
EN, FB ,SW PIN .....	-0.3V to VIN+0.6V
Storage Temperature Range.....	-65°C to +150°C
Junction Temperature.....	150°C
Operating Temperature Range.....	-40°C to +85°C
Lead Temperature (Soldering, 10 sec).....	260°C
Package Thermal Resistance( $\theta_{JA}$ )	
SOT23-5.....	260°C/W
Package Thermal Resistance( $\theta_{JC}$ )	
SOT23-5.....	110°C/W

#### NOTE:

Stresses beyond those listed under “Absolute Maximum Ratings” may cause permanent damage to the device. These are stress ratings only, and functional operation of the device at these or any other conditions beyond those indicated in the operational sections of the specifications is not implied. Exposure to absolute maximum rating conditions for extended periods may affect device reliability.

### CAUTION

This integrated circuit can be damaged by ESD if you don't pay attention to ESD protection. Broadchip recommends that all integrated circuits be handled with appropriate precautions. Failure to observe proper handling and installation procedures can cause damage. ESD damage can range from subtle performance degradation to complete device failure. Precision integrated circuits may be more susceptible to damage because very small parametric changes could cause the device not to meet its published specifications.

Broadchip reserves the right to make any change in circuit design, specification or other related things if necessary without notice at any time. Please contact Broadchip sales office to get the latest datasheet.



# BCT1814

## 2A, 1MHz Synchronous Step-Down Converter

### ELECTRICAL CHARACTERISTICS

(VIN= 5V, TA= 25°C, unless otherwise specified.)

PARAMETER	SYM	CONDITIONS	MIN	TYP	MAX	UNITS
V <sub>IN</sub> Input Supply Voltage	V <sub>IN</sub>		2.7		5.5	V
V <sub>IN</sub> UVLO Threshold	V <sub>IN_MIN</sub>	V <sub>IN</sub> Rising		2.5		V
V <sub>IN</sub> Under Voltage Lockout Threshold Hysteresis	V <sub>IN_MIN_HYST</sub>	V <sub>IN</sub> Falling		200		mV
Shutdown Supply Current	I <sub>SD</sub>	V <sub>EN</sub> =0V			1	uA
Supply Current	I <sub>Q</sub>	V <sub>EN</sub> =5V, V <sub>FB</sub> =0.63V		55		uA
Feedback Voltage	V <sub>FB</sub>		0.585	0.600	0.615	V
FB Input Current	I <sub>FB</sub>	V <sub>FB</sub> =V <sub>IN</sub>	-1		1	uA
Top Switch On-Resistance	R <sub>DS(ON)T</sub>			110		mΩ
Bottom Switch On-Resistance	R <sub>DS(ON)B</sub>			80		mΩ
Switch Frequency	F <sub>SW</sub>			1		MHz
Top Switch Current Limit	I <sub>LIM_TOP</sub>		3.5			A
Max Duty Cycle			100			%
Minimum On Time	T <sub>ON_MIN</sub>			300		ns
EN Rising threshold voltage	V <sub>EN_H</sub>	V <sub>EN</sub> rising	1.5			V
EN Falling threshold	V <sub>EN_L</sub>	V <sub>EN</sub> falling			0.4	V
EN Input current	I <sub>IN</sub>	V <sub>EN</sub> = 0V to V <sub>IN</sub>			1	uA
Soft-Start Time	t <sub>SS</sub>			1		ms
Thermal Shutdown Temperature	T <sub>SD</sub>			160		°C
Thermal Shutdown Hysteresis	T <sub>HYS</sub>			15		°C

## FUNCTIONAL DESCRIPTION

The BCT1814 is a high performance, 2A, 1MHz monolithic step-down converter. The BCT1814 requires only three external power components ( $C_{IN}$ ,  $C_{OUT}$  and  $L$ ). The adjustable version can be programmed with external feedback to any voltage, ranging from 0.6V to the input voltage.

At dropout operation, the converter duty cycle increases to 100% and the output voltage tracks the input voltage minus the  $R_{DS(ON)}$  drop of the high-side MOSFET.

The internal error amplifier and compensation provides excellent transient response, load, and line regulation. Soft start function prevents input inrush current and output overshoot during start up.

## APPLICATION INFORMATION

### Setting the Output Voltage

The internal reference  $V_{REF}$  is 0.6V (Typical). The output voltage is divided by a resistor,  $R_1$  and  $R_2$  to the FB pin. The output voltage is given by:

$$V_{OUT} = 0.6 \times \left(1 + \frac{R_1}{R_2}\right)$$

### Inductor Selection

For most designs, the BCT1814 operates with inductors of 1 $\mu$ H to 4.7 $\mu$ H. Low inductance values are physically smaller but require faster switching, which results in some efficiency loss. The inductor value can be derived from the following equation:

$$L = \frac{V_{OUT} \times (V_{IN} - V_{OUT})}{V_{IN} \times \Delta I_L \times f_S}$$

Where  $\Delta I_L$  is inductor Ripple Current. Large value inductors result in lower ripple current and small value inductors result in high ripple current. For optimum voltage-positioning load transients, choose an inductor with DCR < 50m $\Omega$ .

### Input Capacitor Selection

The input capacitor reduces the surge current drawn from the input and switching noise from the device. The input capacitor impedance at the switching frequency should be less than input source impedance to prevent high frequency switching current passing to the input. A low ESR input capacitor sized for maximum RMS current must be used. Ceramic capacitors with X5R or X7R dielectrics are highly recommended because of their low ESR and small temperature coefficients. A 22 $\mu$ F ceramic capacitor for most applications is sufficient. A large value may be used for improved input voltage filtering.

### Output Capacitor Selection

The output capacitor is required to keep the output voltage ripple small and to ensure regulation loop stability. The output capacitor must have low impedance at the switching frequency. Ceramic capacitors with X5R or X7R dielectrics are recommended due to their low ESR and high ripple current ratings. The output voltage ripple can be estimated by:

$$\Delta V_{OUT} = \frac{V_{OUT}}{f_S \times L} \times \left(1 - \frac{V_{OUT}}{V_{IN}}\right) \times \left(R_{ESR} + \frac{1}{8 \times f_S \times C_2}\right)$$

## PCB Layout Recommendations

When laying out the printed circuit board, the following checking should be used to ensure proper operation of the BCT1814 Check the following in your layout:

The power traces, consisting of the GND trace, the SW trace and the VIN trace should be kept short,



# BCT1814

## 2A, 1MHz Synchronous Step-Down Converter

---

direct and wide

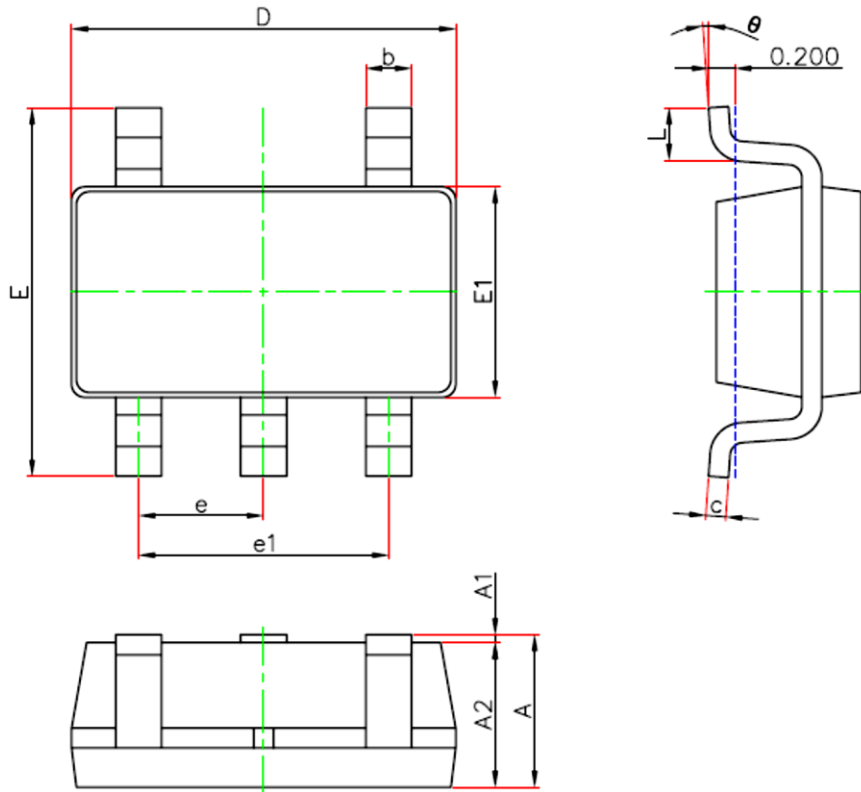
Does the (+) plates of CIN connect to VIN as closely as possible. This capacitor provides the AC current to the internal power MOSFETs.

Keep the switching node, SW, away from the sensitive VOUT node.

Keep the (-) plates of CIN and COUT as close as possible

### PACKAGE OUTLINE DIMENSIONS

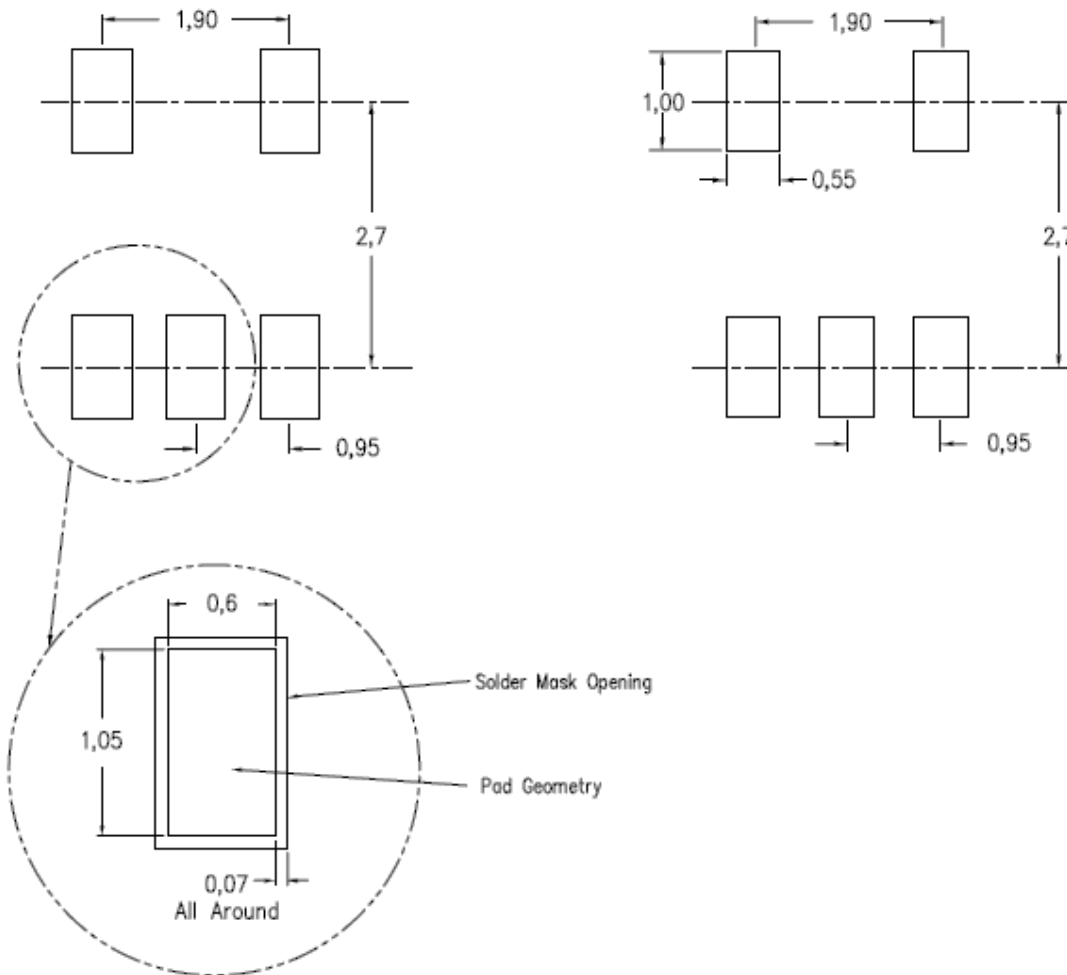
SOT23-5



Symbol	Dimensions In Millimeters	
	Min	Max
A	1.05	1.3
A1	0	0.15
A2	1.05	1.15
b	0.28	0.5
c	0.1	0.23
D	2.82	3.02
E1	1.5	1.7
E	2.65	3.05
e	0.95(BSC)	
e1	1.8	2
L	0.3	0.6
theta	0	8°

SOT-23-5 Surface Mount Package

**PCB Layout Pattern: SOT23-5**



**RECOMMENDED PCB LAYOUT PATTERN (Unit: mm)**