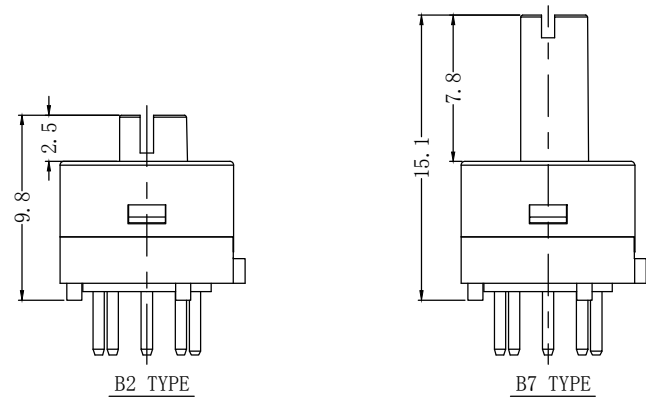
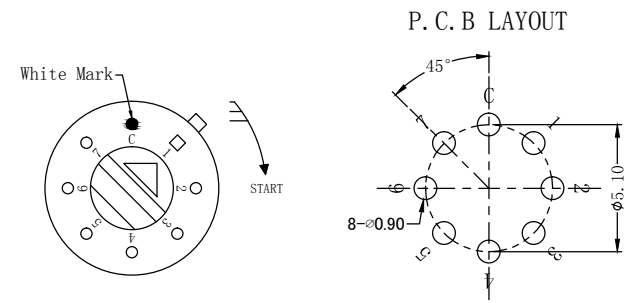
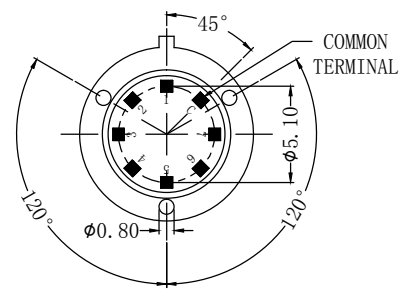
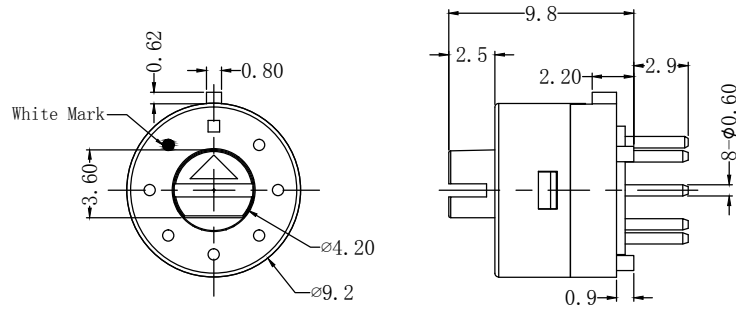


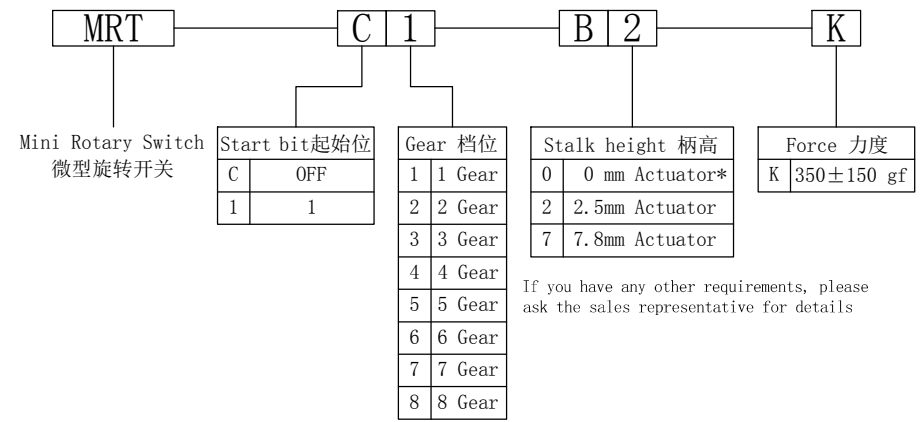
修 改	记号	内 容	修改者	日期



SCHEMATICS

Start bit " 1 "		
ROTATION ANGLE	SWITCHING POSITION	PRODUCT NAME
45°	1-2	MRT-12
90°	1-3	MRT-13
135°	1-4	MRT-14
180°	1-5	MRT-15
225°	1-6	MRT-16
270°	1-7	MRT-17
315°	1-C	MRT-18

- SPECIFICATIONS**
- 1.POLE-POSITION: 1POLE,2POSITION~8POSITION(STOP LESS)are Available
 - 2.CONTACT RATING: 0.5A 24V DC;0.2A 48V DC
 - 3.CONTACT RESISTANCE: by Method of Voltage DROP
 - 4.INSULATION RESISTANCE: 100MΩ min.500 V DC
 - 5.DIELECTRIC STRENGTH: Breakdown is not Allowable;500 V AC for 1 Minute
 - 6.OPERATING FORCE: 350±150gf
 - 7.OPERATING LIFE: 2,000 cycles
 - 8.OPERATING TEMPERATURE RANGE: -20°C~70°C



本公司智慧财产，未经同意不得复制
Without permission, copying is strictly prohibited. Chau-hua

ALL DIMENSIONS ARE IN MILLIMETERS, GENERAL TOLERANCES MAX. ± 0.20mm.	制图	H H	比例		日期	2021.01.15
	设计	H H	单位	MM	材质	
	校对	LZY	全周倒角		数量	
	审核	M W	视图		处理	



昭华集团(香港)有限公司
CHAU-HUA GROUP (HONGKONG) CO., LIMITED

名称	MRT-1□-B□-K
型号	MRT-Mini Rotary Switch