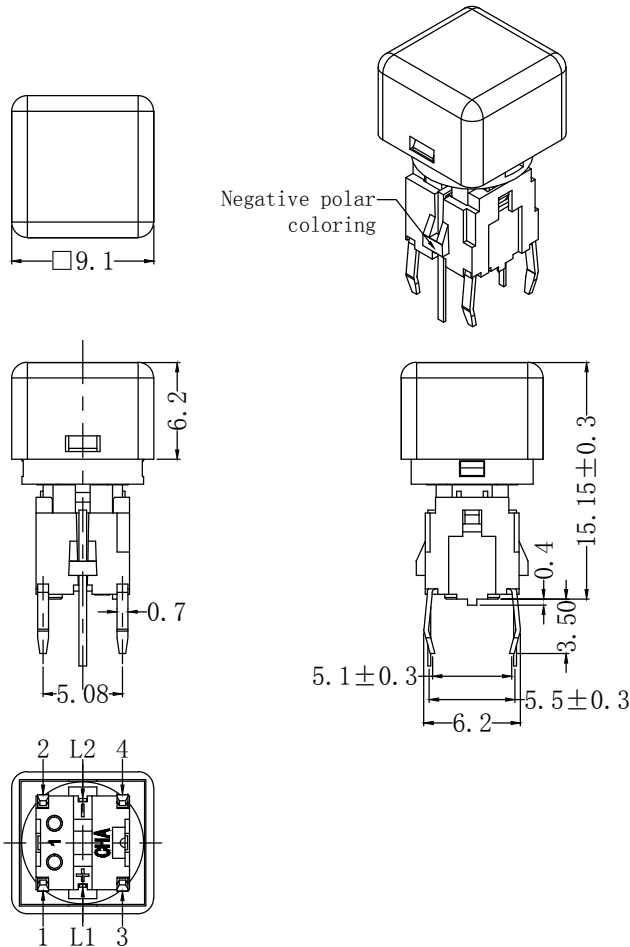
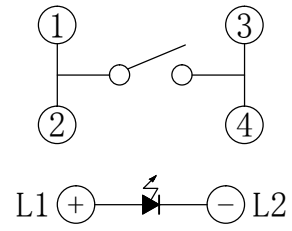


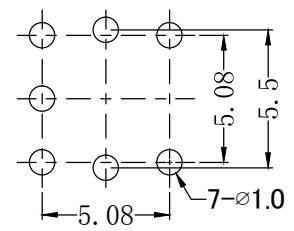
修 改	记号	内 容	修改者	日期



CIRCUIT



P. C. B. LAYOUT



C601 A		1 0 - -		1 S R																																							
<table border="1"> <tr><th>CATEGORY</th></tr> <tr><td>A Without cap</td></tr> <tr><td>B With cap</td></tr> </table>	CATEGORY	A Without cap	B With cap	<table border="1"> <tr><th>BASIC SWITCH</th></tr> <tr><td>1 Square</td></tr> <tr><td>2 Round *</td></tr> <tr><td>3 Bugle form</td></tr> </table>	BASIC SWITCH	1 Square	2 Round *	3 Bugle form	<table border="1"> <tr><th>CAP TYPE</th></tr> <tr><td>- Nothing</td></tr> <tr><td>1 </td></tr> <tr><td>2 </td></tr> <tr><td>5 </td></tr> <tr><td>15 </td></tr> </table>	CAP TYPE	- Nothing	1	2	5	15	<table border="1"> <tr><th>FUNCTION</th></tr> <tr><td>Non-Illuminated</td></tr> <tr><td>- Standard type</td></tr> <tr><td>M SMT type</td></tr> <tr><td>Illuminated</td></tr> <tr><td>L Standard type</td></tr> <tr><td>ML SMT type</td></tr> </table>	FUNCTION	Non-Illuminated	- Standard type	M SMT type	Illuminated	L Standard type	ML SMT type	<table border="1"> <tr><th>LED COLOR</th></tr> <tr><td>1 Red</td></tr> <tr><td>2 Yellow</td></tr> <tr><td>3 Green</td></tr> <tr><td>4 Blue</td></tr> <tr><td>5 White</td></tr> <tr><td>6 Pure Green</td></tr> <tr><td>7 Amber</td></tr> <tr><td>12 Red/Yellow</td></tr> <tr><td>13 Red/Green</td></tr> <tr><td>23 Yellow/Green</td></tr> </table>	LED COLOR	1 Red	2 Yellow	3 Green	4 Blue	5 White	6 Pure Green	7 Amber	12 Red/Yellow	13 Red/Green	23 Yellow/Green	<table border="1"> <tr><th>LED BRIGHTNESS</th></tr> <tr><td>S Standard</td></tr> <tr><td>C Customization</td></tr> </table>	LED BRIGHTNESS	S Standard	C Customization	<table border="1"> <tr><th>LED TYPE</th></tr> <tr><td>R Round Gibbous</td></tr> <tr><td>F Flat head</td></tr> </table>	LED TYPE	R Round Gibbous	F Flat head
CATEGORY																																											
A Without cap																																											
B With cap																																											
BASIC SWITCH																																											
1 Square																																											
2 Round *																																											
3 Bugle form																																											
CAP TYPE																																											
- Nothing																																											
1																																											
2																																											
5																																											
15																																											
FUNCTION																																											
Non-Illuminated																																											
- Standard type																																											
M SMT type																																											
Illuminated																																											
L Standard type																																											
ML SMT type																																											
LED COLOR																																											
1 Red																																											
2 Yellow																																											
3 Green																																											
4 Blue																																											
5 White																																											
6 Pure Green																																											
7 Amber																																											
12 Red/Yellow																																											
13 Red/Green																																											
23 Yellow/Green																																											
LED BRIGHTNESS																																											
S Standard																																											
C Customization																																											
LED TYPE																																											
R Round Gibbous																																											
F Flat head																																											

- 1.RATING :12VDC 50mA.
- 2.INSULATION RESISTANCE :100MΩ Min(250VDC).
- 3.DIELECTRIC STRENGTH :250VAC 50/60Hz for 1min.
- 4.CONTACT RESISTANCE :100mΩ Max.
- 5.ELECTRICALLY LIFE :100,000cycles.
- 6.OPERATING TEMPERATURE RANGE :-20°C~+70°C.
- 7.OPERATING FORCE :160±50g / 250±50g.
- 8.TRAVEL :0.25±0.1 mm
- 9.IT IS RECOMMENDED THAT THE NUMBER OF TIMES TO PULL OUT THE CAP SHOULD NOT EXCEED 3

If you have any other requirements, please ask the sales representative for details.

序号	零件名称	材质	数量	备注	Color	VR	IF	Recommended Operating Current	VF		
									Nom.	Max	
					Red	DC 5V	20mA	20mA	2.0 V	2.4 V	
1	帽 盖	PC	1	白色	Yellow	DC 5V	20mA	20mA	2.3 V	2.5 V	
2	上 盖	PC	1	白色	Green	DC 5V	20mA	20mA	2.4 V	2.7 V	
3	推 柄	尼龙	1	白色	Blue	DC 5V	20mA	20mA	3.3 V	3.6 V	
4	底 座	塑胶	尼龙	1	黑色	White	DC 5V	20mA	20mA	3.0 V	3.6 V
		端子	黄铜	1	镀银	Full Green	DC 5V	20mA	20mA	3.0 V	3.6 V
5	弹 片	不锈钢	1		Amber	DC 5V	20mA	20mA	2.3 V	2.5 V	
6	LED灯		1								

本公司智慧财产，未经同意不得复制
Without permission, copying is strictly prohibited. Chau-hua

ALL DIMENSIONS ARE IN MILLIMETERS, GENERAL TOLERANCES MAX. ± 0.20mm.

制图	H H	比例		日期	2021.05.20
设计	H H	单位	MM	材质	
校对	LZY	全周倒角		数量	
审核	M W	视图		处理	



昭华集团(香港)有限公司
CHAU-HUA GROUP (HONGKONG) CO., LIMITED

名称	C601B-305L
型号	C601 Series