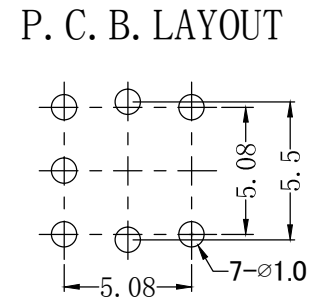
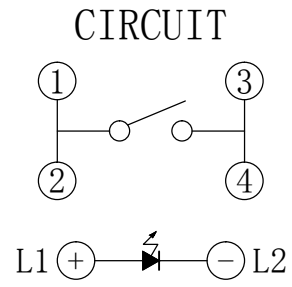
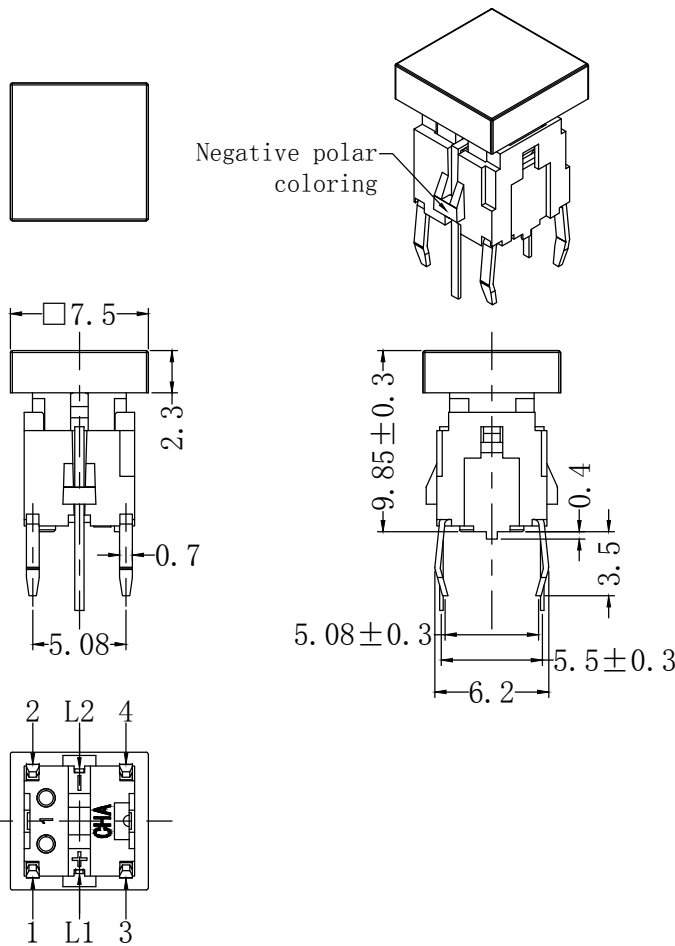


|        |    |     |     |    |
|--------|----|-----|-----|----|
| 修<br>改 | 记号 | 内 容 | 修改者 | 日期 |
|        |    |     |     |    |



|          |             |              |            |          |         |                 |               |           |              |                |               |          |               |
|----------|-------------|--------------|------------|----------|---------|-----------------|---------------|-----------|--------------|----------------|---------------|----------|---------------|
| C601     | A           | 1            | 0          | -        | -       | 1               | S             | R         |              |                |               |          |               |
| CATEGORY |             | BASIC SWITCH |            | CAP TYPE |         | FUNCTION        |               | LED COLOR |              | LED BRIGHTNESS |               | LED TYPE |               |
| A        | Without cap | 1            | Square     | -        | Nothing | Non-Illuminated |               | 1         | Red          | S              | Standard      | R        | Round Gibbous |
| B        | With cap    | 2            | Round *    | 1        |         | -               | Standard type | 2         | Yellow       | C              | Customization | F        | Flat head     |
|          |             | 3            | Bugle form | 2        |         | M               | SMT type      | 3         | Green        |                |               |          |               |
|          |             |              |            | 5        |         |                 | Illuminated   | 4         | Blue         |                |               |          |               |
|          |             |              |            | 15       |         | L               | Standard type | 5         | White        |                |               |          |               |
|          |             |              |            |          |         | ML              | SMT type      | 6         | Pure Green   |                |               |          |               |
|          |             |              |            |          |         |                 |               | 7         | Amber        |                |               |          |               |
|          |             |              |            |          |         |                 |               | 12        | Red/Yellow   |                |               |          |               |
|          |             |              |            |          |         |                 |               | 13        | Red/Green    |                |               |          |               |
|          |             |              |            |          |         |                 |               | 23        | Yellow/Green |                |               |          |               |

- 1.RATING :12VDC 50mA.
- 2.INSULATION RESISTANCE :100MΩ Min(250VDC).
- 3.DIELECTRIC STRENGTH :250VAC 50/60Hz for 1min.
- 4.CONTACT RESISTANCE :100mΩ Max.
- 5.ELECTRICALLY LIFE :100,000cycles.
- 6.OPERATING TEMPERATURE RANGE :-20°C~+70°C.
- 7.OPERATING FORCE :160±50g / 250±50g.
- 8.TRAVEL :0.25±0.1 mm
- 9.IT IS RECOMMENDED THAT THE NUMBER OF TIMES TO PULL OUT THE CAP SHOULD NOT EXCEED 3

If you have any other requirements, please ask the sales representative for details

| Color      | VR    | IF   | Recommended Operating Current | VF    |       |
|------------|-------|------|-------------------------------|-------|-------|
|            |       |      |                               | Nom.  | Max   |
| Red        | DC 5V | 20mA | 20mA                          | 2.0 V | 2.4 V |
| Yellow     | DC 5V | 20mA | 20mA                          | 2.3 V | 2.5 V |
| Green      | DC 5V | 20mA | 20mA                          | 2.4 V | 2.7 V |
| Blue       | DC 5V | 20mA | 20mA                          | 3.3 V | 3.6 V |
| White      | DC 5V | 20mA | 20mA                          | 3.0 V | 3.6 V |
| Full Green | DC 5V | 20mA | 20mA                          | 3.0 V | 3.6 V |
| Amber      | DC 5V | 20mA | 20mA                          | 2.3 V | 2.5 V |

| 序号 | 零件名称 | 材质  | 数量 | 备注 |    |
|----|------|-----|----|----|----|
| 1  | 散光片  | PC  | 1  | 白色 |    |
| 2  | 推柄   | 尼龙  | 1  | 白色 |    |
| 3  | 底座   | 塑胶  | 尼龙 | 1  | 黑色 |
|    |      | 端子  | 黄铜 | 1  | 镀银 |
| 4  | 弹片   | 不锈钢 | 1  |    |    |
| 5  | LED灯 |     | 1  |    |    |

本公司智慧财产，未经同意不得复制  
Without permission, copying is strictly prohibited. Chau-hua

ALL DIMENSIONS ARE IN MILLIMETERS, GENERAL TOLERANCES MAX. ± 0.20mm.

|    |     |      |    |    |  |
|----|-----|------|----|----|--|
| 制图 | H H | 比例   |    | 日期 |  |
| 设计 | H H | 单位   | MM | 材质 |  |
| 校对 | LZY | 全周倒角 |    | 数量 |  |
| 审核 | M W | 视图   |    | 处理 |  |



昭华集团(香港)有限公司  
CHAU-HUA GROUP (HONGKONG) CO., LIMITED

|    |             |
|----|-------------|
| 名称 | C601B-101L  |
| 型号 | C601 Series |