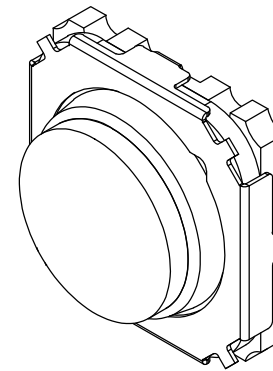
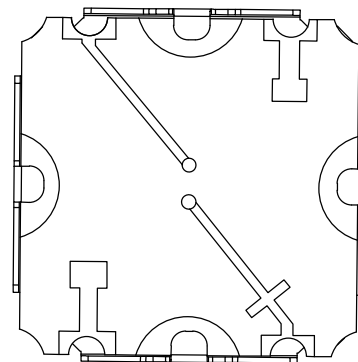
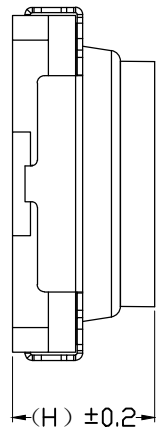
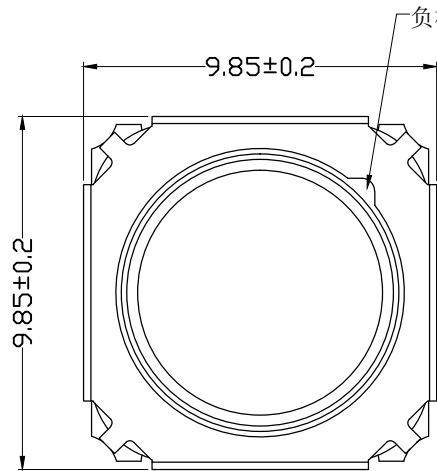


修 改	记号	内 容	修改者	日期

Name	H
	3.95 mm
5	5.0 mm
6	6.0 mm
7	7.0 mm
8	8.0 mm



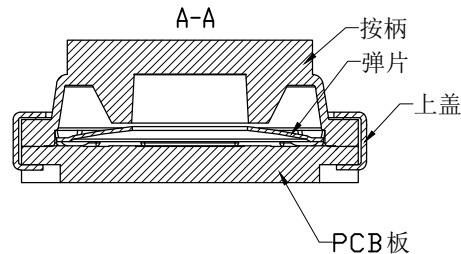
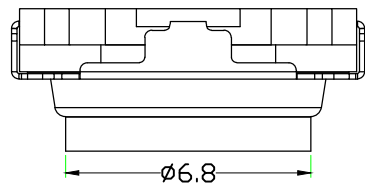
Color Of Stem For
Operating Force:
B= 600gf

Total height:
 □ = 3.95mm
 5 = 5.0mm
 6 = 6.0mm
 7 = 7.0mm
 8 = 8.0mm

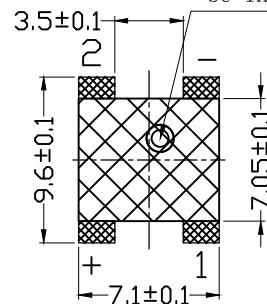
LED Color:
 N=Without LED
 R=Red
 Y=Yellow
 G=Green
 B=Blue
 W=White
 O=Orange
 RG=Red+Green
 RB=Red+Blue

Package Style:
 TR=Tape Reel

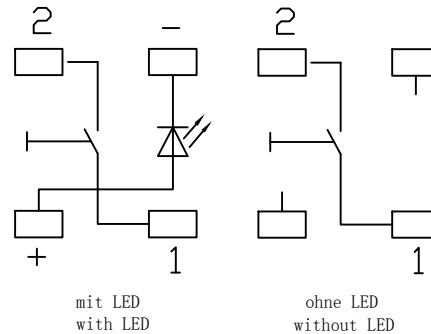
Soldering:
 V=Lead Free



Other components can not
be installed in the area!



P. C. B. LAYOUT



Circuit diagram

SPECIFICATIONS

Circuit	: SPST 1P1T with LED
Current Rating	: 50mA
Voltage Rating	: 28VDC
Dielectric withstanding voltage	: 250VAC for 1 minute
Contact Resistance	: 100mΩ Max (initial DC5V 1mA)
Insulation Resistance	: 500MΩ Min
Operating Force	: 600±150gf
Total Travel	: 1.0±0.35mm
Operating Life	: 500,000 Cycles Min
Solder Specifications	: 260° C for 3 seconds
Function	: Momentary
Operating Temperature	: -40° C~+95° C

本公司智慧财产，未经同意不得复制
 Without permission, copying is
 strictly prohibited. Chau-hua

ALL DIMENSIONS
 ARE IN
 MILLIMETERS,
 GENERAL
 TOLERANCES MAX.
 ± 0.20mm.

制图	H H	比例		日期	2020.08.12
设计	H H	单位	MM	材质	
校对	LZY	全周倒角		数量	
审核	M W	视图		处理	



昭华集团(香港)有限公司
 CHAU-HUA GROUP (HONGKONG) CO., LIMITED

图号	C3001-B-□-□-□-TR
图名	C3001 SERIES