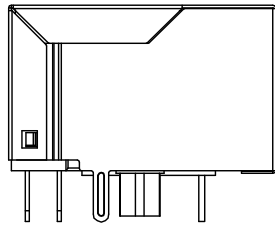


Electrical:

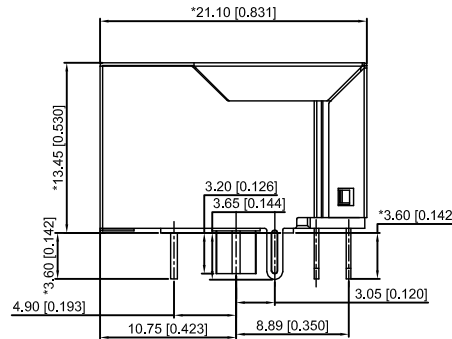
- Turn ratio: 2~3: J1~J2=1CT:1CT(±2%),
4~7: J3~J6=1CT:1CT(±2%)
5~6: J4~J5=1CT:1CT(±2%)
8~9: J7~J8=1CT:1CT(±2%)
- OCL: 350uH Min. at 100KHz 100mV 8mA DC.
- Insertion Loss: -1.0 dB Max 1~100MHz.
-14dB Min 30~60MHz.
-12dB Min 60~80MHz.
-10dB Min 80~100MHz.
- Return loss: -18dB Min 1~30MHz.
-14dB Min 30~60MHz.
-12dB Min 60~80MHz.
-10dB Min 80~100MHz.
- Cross talk: -40dB Min 1~30MHz;
-35dB Min 30~60MHz;
-30dB Min 60~100MHz;
- CMR: -30dB Min 1~100MHz;
- Hi-Pot: 2250V DC 6S 1mA PRI TO SEC.

LED Specification

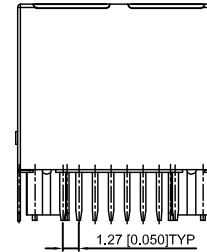
Standard LED Color	LED Wavelength	Forward(A)	Forward(V)
Green	569nm	20mA	1.85-2.45V
Yellow	589nm	20mA	1.7-2.2V



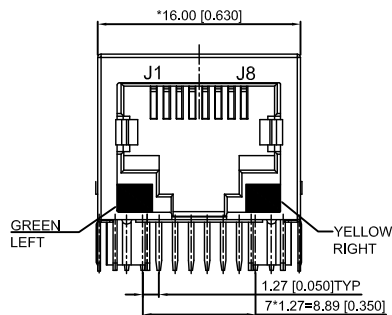
LEFT SIDE VIEW



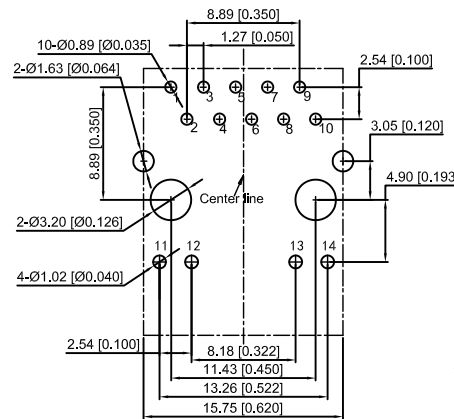
RIGHT SIDE VIEW



BACK VIEW

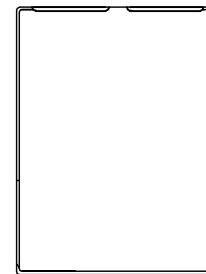


FRONT VIEW

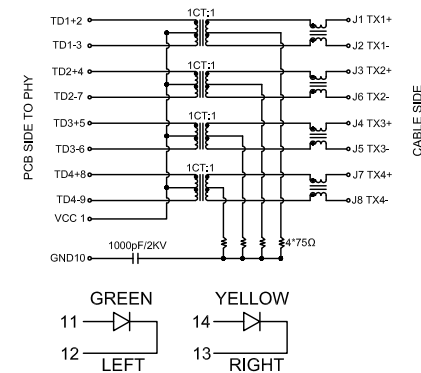


RECOMMENDED PCB LAYOUT VIEWED FROM COMPONENT SIDE

XKB Connectivity



TOP VIEW



XKB Connectivity

MATERIAL:

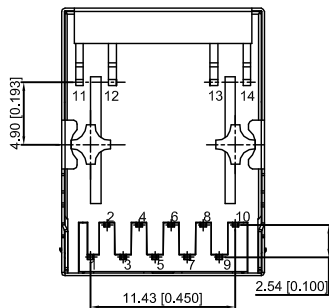
- HOUSING : PBT, UL94V-0, BLACK.
- TERMINALS BRACKET: PBT, UL94V-0, BLACK.
- SHIELD: C2680, T=0.20MM, NICKEL PLATING ON ALL AREA.
- TERMINAL: PHOSPHOR BRONZE C5210, T=0.35MM, GOLD PLATING ON CONTACT AREA.

MECHANICAL:

- DURABILITY : 750 CYCLES MIN.
- MATING FORCE : 23N MAX.
- OPERATING TEMPERATURE: -40°C~+85°C.
- STORAGE TEMPERATURE: -40°C~+85°C.
- ALL CRITICAL DIMENSIONS WITH "MM"

XKD-D213-11Q066WP2GY1SXX

- Y: Yellow
- G: Green
- O: Orange
- W: No light
- 1: PBT
- 2: PA66
- 3: PA46
- 4: PBT
- 1: 6u
- 2: 15u
- 3: 30u



BOTTOM VIEW

DSND		DATE		SCALE: N/A	MODEL TYPE: RJ JACK
DWN		DATE		VIEW:	PART NO.:
CHKD		DATE		UNIT: mm/in	DWG NO.:
APPD		DATE		SIZE: A4	X01AB002BA2AD
				WEIGHT	SHEET
XKB INDUSTRIAL PRECISION CO., LIMITED				1.0g	1/1
				REVISION	A0

MARK	DESCRIPTION	DATE	REVISED	APPROVED	UNSPECIFIED TOLERANCES
ΔX					ANGLAR ±5°
ΔX					L ≤ 4 ±0.2
ΔX					4 < L ≤ 16 ±0.3
ΔX					16 < L ≤ 63 ±0.4
MARK					L > 63 ±0.5