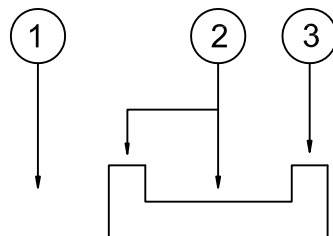
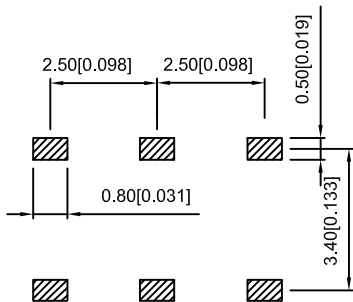


NOTE:
 Rating: DC 12V 50mA
 Operating Force: 200±100gf
 Lifetime: 10,000 Cycles



5	Terminal	—	6	Brass (0.30t)	ag Plated
4	Contact spring	—	1	Phosphor bronze	ag Plated
3	Base	—	1	Pa46	Black
2	Cover	—	1	Sus	Natural
1	Keystake	—	1	Pa46	Black
ITEM	PAPT NAME	TER,NO	QTY	MATERIAL	FINISHING

A4				
A3				
A2				
A1				
REV	DATE	REVISION	DESCRIPTION	ISSUE



COMMON TOLERANCE

X.XX	± 0.10
X.X	± 0.15
X	± 0.25
ANGULAR	—

UNIT	MM	PROJECTED		PRODUCT NAME:
DRAWN BY	FUYUAN	CHECKED BY	COCO	MODEL NO: TP-3201L2
DATE	2019	APPROVAL B	ALEN	Https: www.rocpu.tw
ROCPCU TECHNOLOGY CO.,LTD				

Copies are issued in strict confidence and shall not be reproduced or copied, or used as the basic of manufacture or sale of apparatus without permission