

REV	ECN NO.	NAME	DATE	TOLERANCE	
				LINEAR	ANGLES
8	---	Lei Songping	Sep,19,2019		
7		Li xiaqin	Sep,18,2019	X.±0.40	X'.±
6	---	Lei Songping	Jun,04,2019	.X±0.30	.X'±
5	---	Li xiaqin	Apr,04,2019	.XX±0.20	.XX'±
REV	ECN NO.	NAME	DATE	.XXX±0.10	.XXX'±

UMax conn 东莞市友贸实业有限公司
DONGGUAN UMAXCONN ENTERPRISE LIMITED

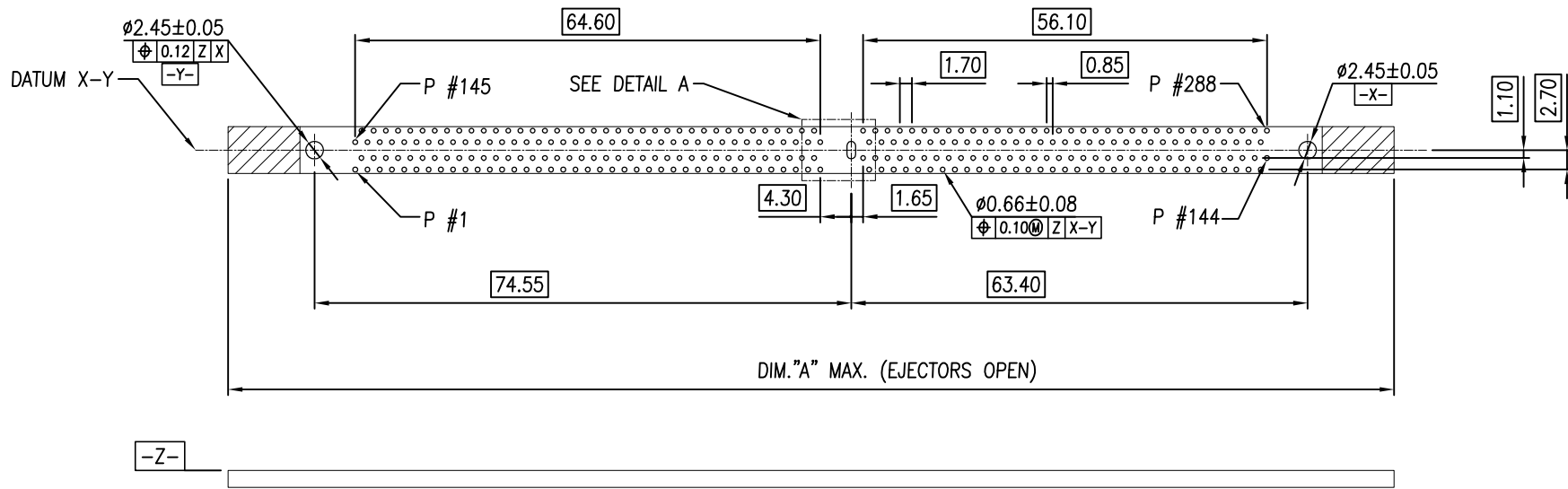
APPD: Schumi MAT'L:
CHKD: Lei songping FINISH:
DRWN: Li xiaqin Q'TY:

TITLE: DDR 4, VERTICAL
288P MEMORY SOCKET DIP TYPE

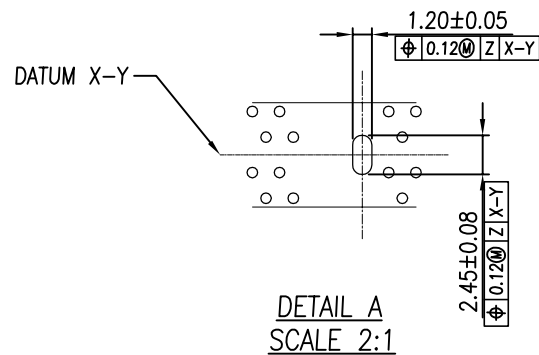
PART NO. 90405-XXXXX-X

DWG NO. C-90405-2

UNITS	SCALE	SHEET	REV
MM	1 : 1	1 OF 5	8



RECOMMENDED PCB LAYOUT (TOP VIEW)



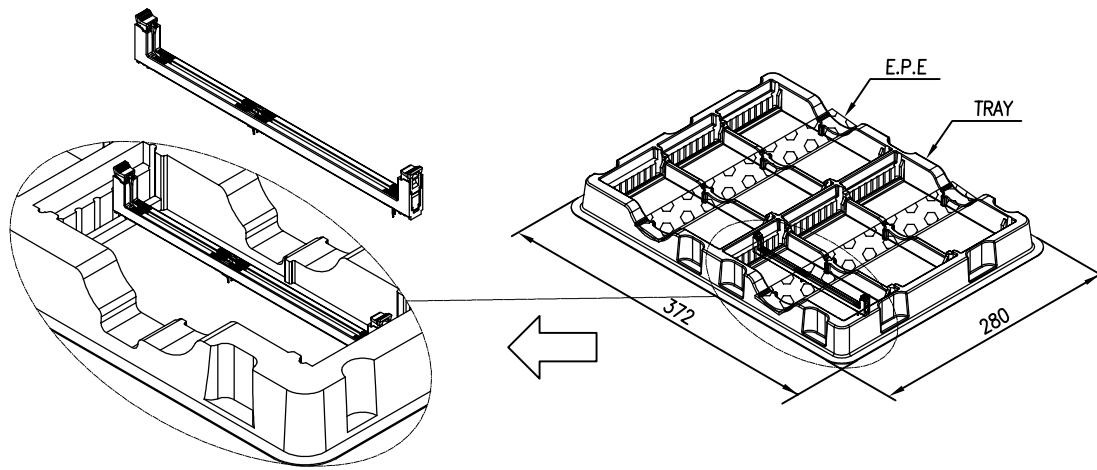
TOLERANCE	
LINEAR	ANGLES
X.±0.40	X'±
.X±0.30	.X'±
.XX±0.20	.XX'±
.XXX±0.10	.XXX'±

UMax conn 东莞市友贸实业有限公司
DONGGUAN UMAXCONN ENTERPRISE LIMITED

APPD: Schumi MAT'L:
CHKD: Lei songping FINISH:
DRWN: Li xiaqin Q'TY:

TITLE: DDR 4, VERTICAL 288P MEMORY SOCKET DIP TYPE			
PART NO. 90405-XXXXX-X		DWG NO. C-90405-2	
UNITS MM	SCALE 1 : 1	SHEET 3 OF 5	REV 8

SEE SHEET 1			
REV	ECN NO.	NAME	DATE



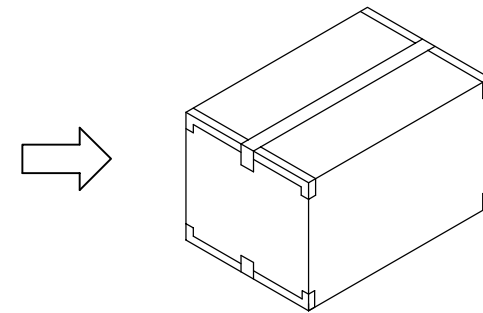
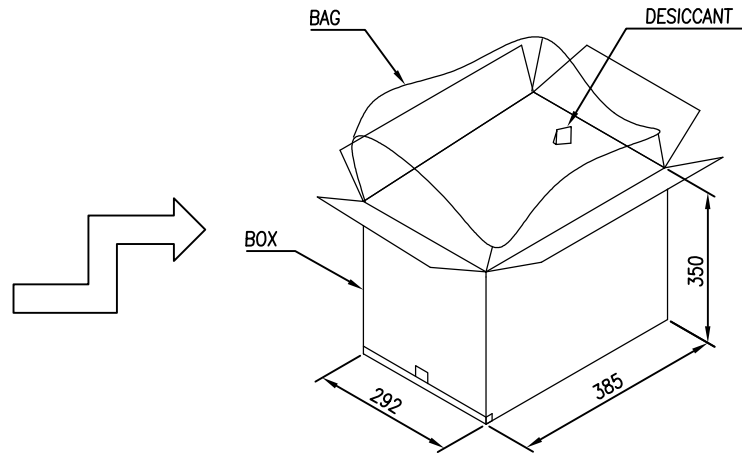
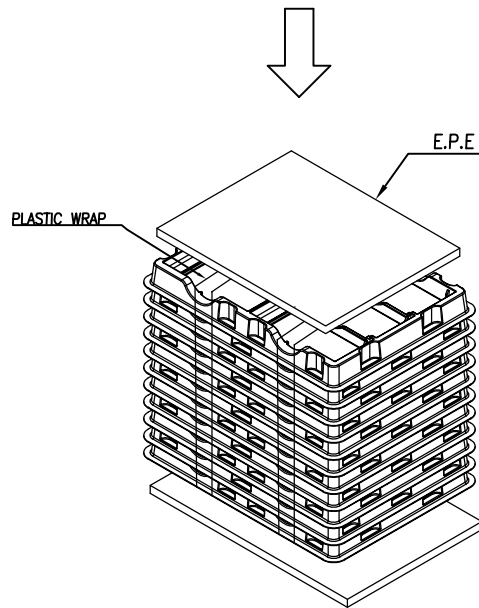
NOTES:

1. MATERIAL:

1.1 TRAY: PVC, COLOR: TRANSPARENT.

1.2 BOX: CORRUGATED FIBER.

1.3 TRANSPARENT BAG: PE, SIZE: 640mm*510mm*0.06mm.



7.2 KG	4.2 KG	54	11	540
GROSS WEIGHT	NET WEIGHT	PCS/TRAY	TRAY/BOX	PCS/BOX

TOLERANCE

LINEAR	ANGLES
X.±0.40	X°.±
.X±0.30	.X°±
.XX±0.20	.XX°±
.XXX±0.10	.XXX°±

UMax conn 东莞市友贸实业有限公司
DONGGUAN UMAXCONN ENTERPRISE LIMITED

APPD: Schumi MAT'L:
CHKD: Lei songping FINISH:
DRWN: Li xiaqin Q'TY:

TITLE: DDR 4, VERTICAL
288P MEMORY SOCKET DIP TYPE

PART NO. 90405-XXXXX-X

DWG NO. C-90405-2

	UNITS	SCALE	SHEET	REV
	MM	1 : 1	5 OF 5	8

SEE SHEET 1

REV	ECN NO.	NAME	DATE
-----	---------	------	------