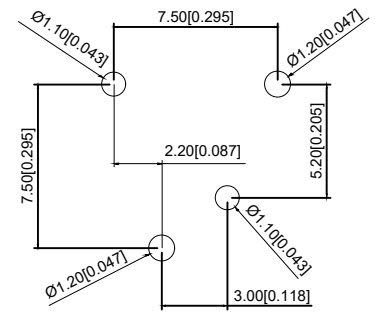
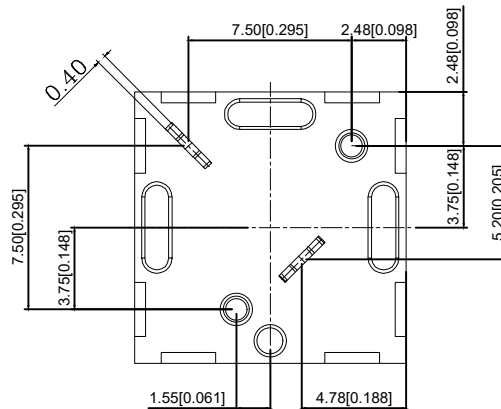
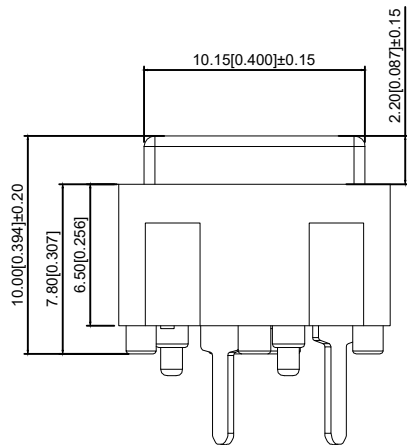


Circuit diagram



PCB SOLDER LAND DIMENSIONS



Rated electric load: AC/DC50V 25mA  
 额定电负荷: AC/DC12V 25mA  
 Withstand voltage strength: AC500V (50/60Hz foy 1minute)  
 耐压强度: AC500V (50/60Hz foy 1minute)  
 Insulation resistance: ≥ 100MΩ min(DC100v)  
 绝缘电阻: ≥ 100MΩ min(DC100V)  
 Contact impedance: 100M Ω Max  
 接触阻抗: 100mΩ max  
 Electrical life: 30000 cycles min  
 电气寿命: 30000 cycles min  
 Conduction stroke: 0.6mm (±0.3mm)  
 导通行程: 0.6mm (±0.3mm)  
 Action force: 300gf ± 100gf  
 力度: 300gf ± 100gf  
 Operation type: touch reply  
 操作类型: 触动回复式

4	terminal	2	BASS	silver (Ag)
3	Shrapnel	1	SUS	Concave gold coating
2	Base	1	PA46	black
1	Press handle	1	ABS	white
Serial number	NAME	QUANTITY	Texture of material	Plating/colour

A4				
A3				
A2				
A1				
REV	DATE	REVISION	DESCRIPTION	ISSUE



COMMON TOLERANCE

X.XX	± 0.10
X.X	± 0.15
X	± 0.25
ANGULAR	—

UNIT	MM	PROJECTED		PRODUCT NAME:
DRAWN BY	FUYUAN	CHECKED BY	COCO	MODEL NO: TP-66018
DATE	2019	APPROVAL B	ALEN	Https: www.rocpcu.tw
<b>ROCPCU TECHNOLOGY CO.,LTD</b>				
Copies are issued in strict confidence and shall not be reproduced or copied, or used as the basic of manufacture or sale of apparatus without permission				