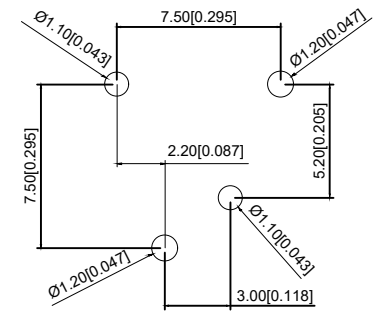
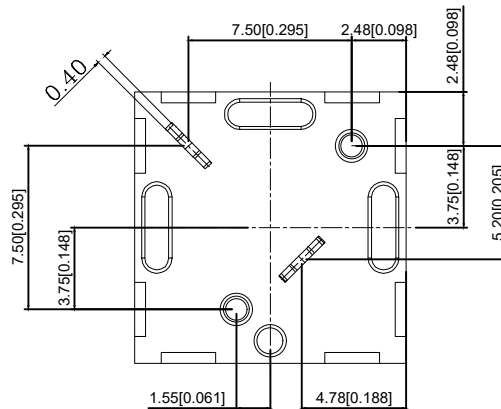
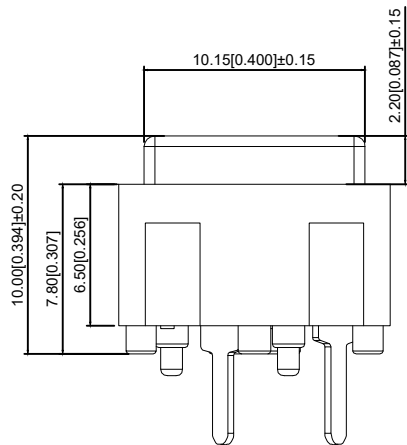


Circuit diagram



PCB SOLDER LAND DIMENSIONS



Rated electric load: AC/DC50V 25mA
 额定电负荷: AC/DC12V 25mA
 Withstand voltage strength: AC500V (50/60Hz foy 1minute)
 耐压强度: AC500V (50/60Hz foy 1minute)
 Insulation resistance: ≥ 100MΩ min(DC100v)
 绝缘电阻: ≥ 100MΩ min(DC100V)
 Contact impedance: 100M Ω Max
 接触阻抗: 100mΩ max
 Electrical life: 30000 cycles min
 电气寿命: 30000 cycles min
 Conduction stroke: 0.6mm (±0.3mm)
 导通行程: 0.6mm (±0.3mm)
 Action force: 300gf ± 100gf
 力度: 300gf ± 100gf
 Operation type: touch reply
 操作类型: 触动回复式

| | | | | |
|---------------|--------------|----------|---------------------|----------------------|
| 4 | terminal | 2 | BASS | silver (Ag) |
| 3 | Shrapnel | 1 | SUS | Concave gold coating |
| 2 | Base | 1 | PA46 | black |
| 1 | Press handle | 1 | ABS | yellow |
| Serial number | NAME | QUANTITY | Texture of material | Plating/colour |

| | | | |
|-----|------|----------------------|-------|
| A4 | | | |
| A3 | | | |
| A2 | | | |
| A1 | | | |
| REV | DATE | REVISION DESCRIPTION | ISSUE |



COMMON TOLERANCE

| | |
|---------|--------|
| X.XX | ± 0.10 |
| X.X | ± 0.15 |
| X | ± 0.25 |
| ANGULAR | — |

| | | | | |
|---|--------|------------|------|----------------------|
| UNIT | MM | PROJECTED | | PRODUCT NAME: |
| DRAWN BY | FUYUAN | CHECKED BY | COCO | MODEL NO: TP-66016 |
| DATE | 2019 | APPROVAL B | ALEN | Https: www.rocpcu.tw |
| ROCPCU TECHNOLOGY CO.,LTD | | | | |
| Copies are issued in strict confidence and shall not be reproduced or copied, or used as the basic of manufacture or sale of apparatus without permission | | | | |