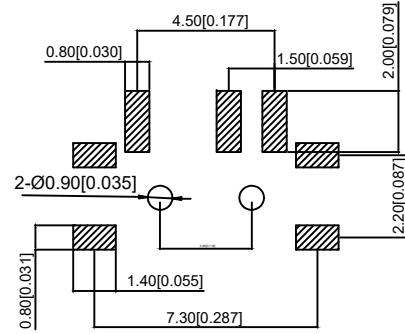
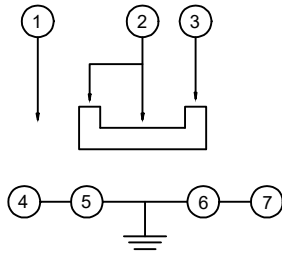


Rated electric load: DC12V 50mA
 额定电负荷: DC12V 50mA
 Insulation resistance: ≥ 100MΩ
 绝缘电阻: ≥ 100MΩ
 Withstand voltage strength: AC250V 50Hz / 1min
 耐压强度: AC250V 50Hz / 1min
 Electrical life: 10000 cycles min
 电气寿命: 10000 cycles min

Ambient temperature: - 25 °C ~ + 70 °C
 环境温度: - 25 °C ~ + 70 °C
 Relative humidity: (40 °C) ≤ 95%
 相对湿度: (40 °C) ≤ 95%
 Contact resistance: ≤ 100m Ω
 接触电阻: ≤ 100m Ω
 Action force: 180gf ± 80gf
 力度: 180gf ± 80gf



D	Contact reed	1	phosphor bronze	silvery
C	lid	1	BASS	silvery white
B	base	1	LCP/BASS	black/silver
A	Press handle	1	PA46	white
Serial number	NAME	QUANTITY	Texture of material	Plating/colour

A4				
A3				
A2				
A1				
REV	DATE	REVISION	DESCRIPTION	ISSUE



COMMON TOLERANCE	
X.XX	± 0.10
X.X	± 0.15
X	± 0.25
ANGULAR	

UNIT	MM	PROJECTED	
DRAWN BY	FUYUAN	CHECKED BY	COCO
DATE	2019	APPROVAL B	ALEN

PRODUCT NAME:
 MODEL NO: TP-33102
 Https: www.rocpcu.tw

ROCPCU TECHNOLOGY CO.,LTD

Copies are issued in strict confidence and shall not be reproduced or copied, or used as the basis of manufacture or sale of apparatus without permission