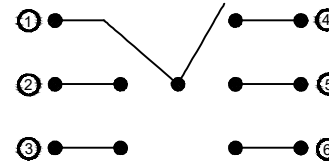
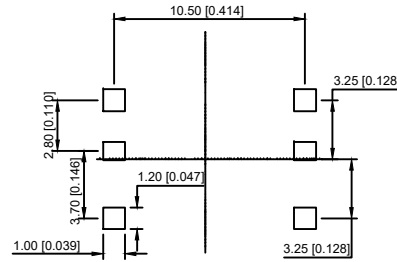
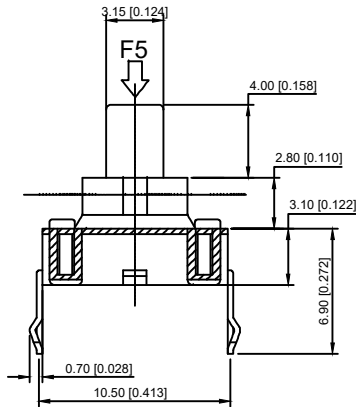


Technical parameter	
Rated load:	0.1A DC12V
Insulation resistance:	100MΩ min(DC100V)
Compressive strength:	AC100V(50/60HZ for 1 minute)
life:	50,000 cycles
Operating temperature:	-10 +60
Operating strength:	4-150±50gf
	1-250±50gf



	1	2	3	4	5	6
F1	●			●		
F2	●	●				
F3	●					●
F4	●			●		
F5		●				

⑦		—				
⑥	Contact	—	5	F.ag/Brass	Plating silver	
⑤	Terminal	—	6	Brass(0.15t)	Plating silver	
④	Base	—	1	Lcp		
③	Cover	—	1	Sus		
②	Axle sleeve	—	1	Lcp		
①	Knob	—	1	PA66		
ITEM	PAPT NAMF	TER,NO	QTY	MATERIAL	FINISHING	REMARK

A4				
A3				
A2				
A1				
REV	DATE	REVISION	DESCRIPTION	ISSUE



COMMON TOLERANCE

X.XX	± 0.10
X.X	± 0.15
X	± 0.25
ANGULAR	—

UNIT	MM	PROJECTED		PRODUCT NAME:
DRAWN BY	FUYUAN	CHECKED BY	COCO	MODEL NO: TP-0208-1
DATE	2019	APPROVAL B	ALEN	Https: www.rocpcu.tw
ROCPCU TECHNOLOGY CO.,LTD				
Copies are issued in strict confidence and shall not be reproduced or copied, or used as the basis of manufacture or sale of apparatus without permission				