

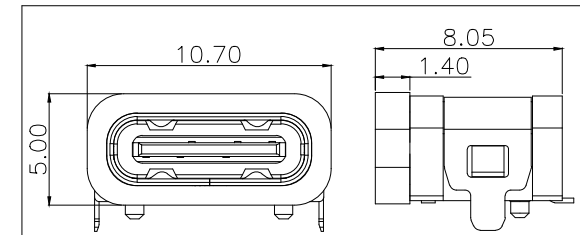
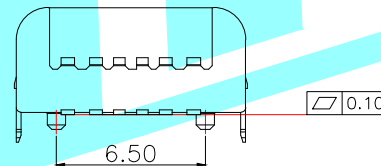
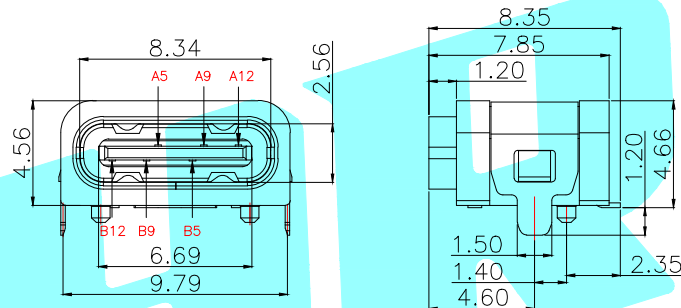
RECOMMENDED P.C.B. LAYOUT  
TOLERANCE UNSPECIFIED  $\pm 0.05\text{mm}$

NOTES:

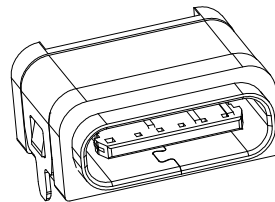
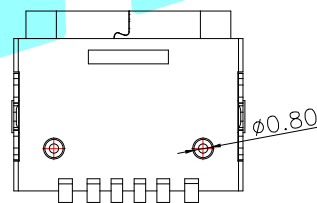
SPECIFICATION:

1. CURRENT RATING: 3.0A MAX
2. VOLTAGE: 100 VAC
3. TEMPERATURE RANGE:  $-30\text{ }^{\circ}\text{C} \sim 85\text{ }^{\circ}\text{C}$
4. CONTACT RESISTANCE: 40 MILLIONHM MAX
5. INSULATION RESISTANCE: 100 MEGOHMS MIN.
6. INSERTION FORCE: 5N~20N
7. UNMATING FORCE: 8N~20N
8. DURABILITY: 10,000 CYCLES
9. WATER PROOFNESS: THIS PRODUCT IS BASED ON IPX7.

PIN NO	A1&B12	A4&B9	A5	A5	A9&B4	A12&B1
SIGNAL NAME	GND	VBUS	CC1	CC2	VBUS	GND
PCB PAD NO.	C1	C2	C3	C4	C5	C6



加防水圈示意图



⑥	防水圈	—	1	硅胶	Black
⑤	Shell	—	1	STAINLESS STEEL	Ni Plated
④	SHIELDING PLATE	—	1	STAINLESS STEEL	Ni Plated
③	Contact	—	1	COPPER ALLOY	TIN/Au/NI Plated
②	Shell Housing	—	1	HIGH TEMPERATURE PLASTIC	Black
①	Housing	—	1	HIGH TEMPERATURE PLASTIC	Black
ITEM	PART NAME	TER'NO.	QTY.	MATERIAL	FINISHING

APPROVALS

DATE

DRAWN LIUCAN

2021.6.10

CHECKED

TITLE: USB CONNECTOR

APPROVALS

PART NO. TYPE-C-31-E-10X

TOLERANCES ARE

30~以上  $\pm 0.30$   
10~30  $\pm 0.25$   
5~10  $\pm 0.20$   
~ 5  $\pm 0.15$

ANGLE

UNIT: mm

SCALE: 1:1

PROJ:

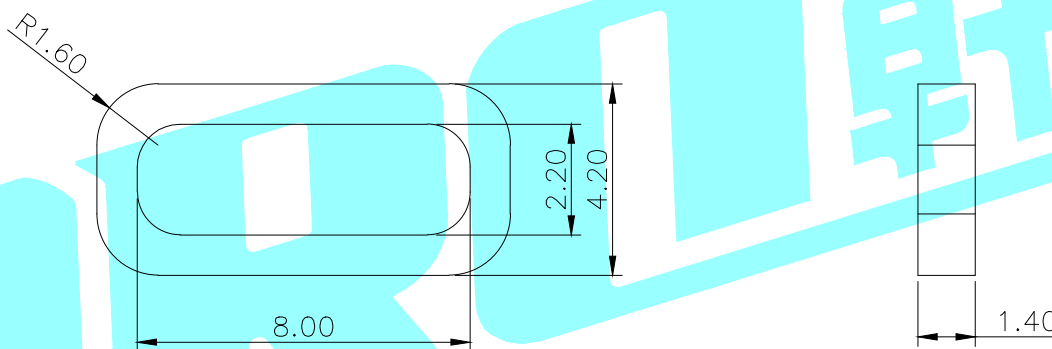
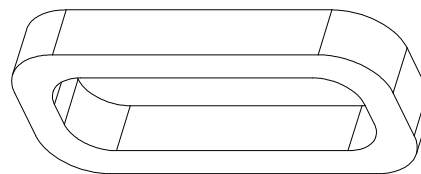
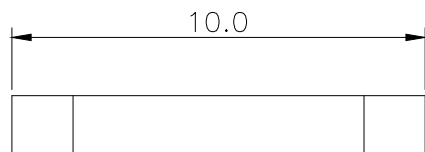
DRAWING NO.

SHEET 1 OF 1

ECN NO.	REV.	DATE.	DESCRIPTION.	CHANGE.	CHECK.	APPRO.
—	A	—	NEW	—	—	—

HRD 翰豪®

ELECTRONICS CO.,LTD



备注:

1. 塑胶材料为硅胶50度，黑色；
2. 塑胶不可烧焦、破损、变形、起泡等外观不良；
3. 未标注尺寸公差为±0.30.

APPROVALS		DATE	 ELECTRONICS CO.,LTD	
DRAWN	LIUCAN	2021.6.10		

CHECKED		TITLE:	
---------	--	--------	--

APPROVALS		PART NO.	TYPE-C-31-E-10X防水圈
-----------	--	----------	--------------------

TOLERANCES ARE	30~以上	±0.30	ANGLE	UNIT: mm	SCALE: 1:1	PROJ:
	10~30	±0.25				
	5~10	±0.20				
	~ 5	±0.15	±2'	DRAWING NO.		SHEET 1 OF 1

_____	A	_____	NEW	_____	_____	_____
ECN NO.	REV.	DATE.	DESCRIPTION.	CHANGE.	CHECK.	APPRO.