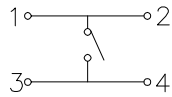
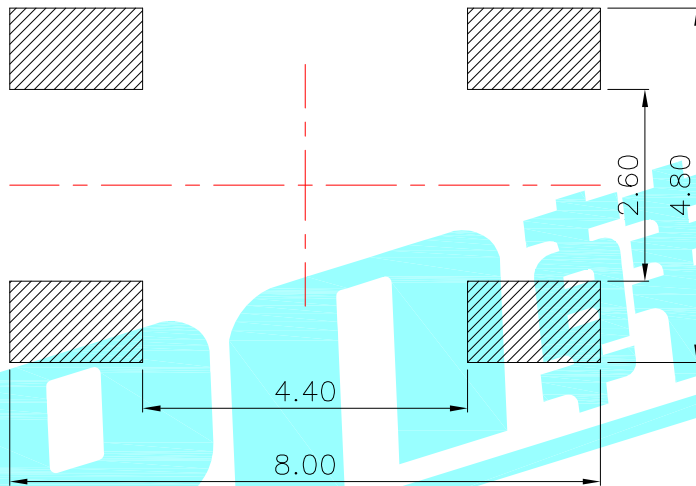
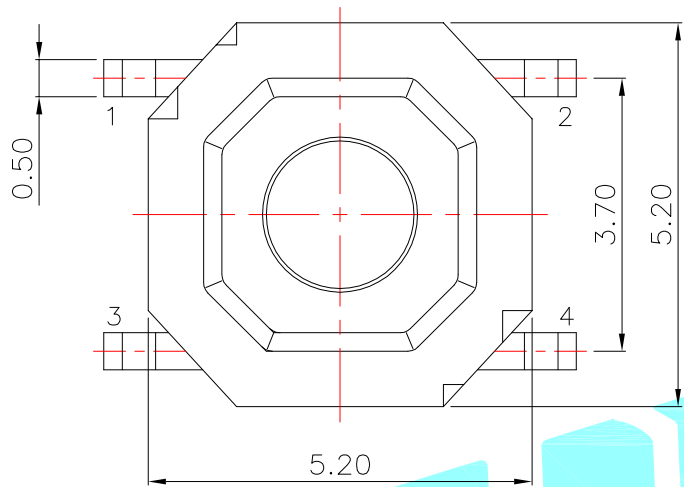


ROHS

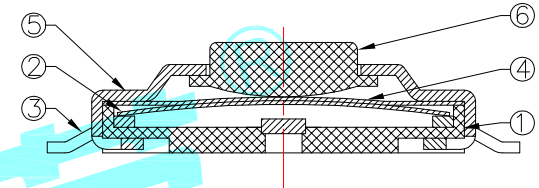


Circuit Diagram

Typical Specifications :
 1. Rating : DC 12V 50mA
 2. Life:100,000 Cycles Min.



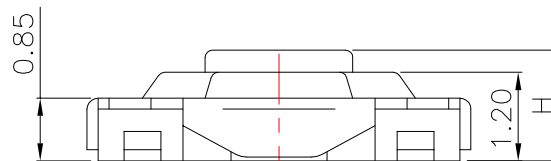
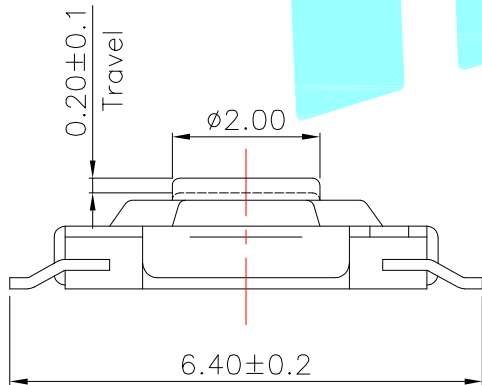
PCB Layout(Pattern side)



NO.1	
PART NO	H
A	1.50
B	1.60
C	1.70
D	2.00
E	2.50
F	3.00
G	4.30
J	3.50
H	5.00
I	1.80

NO.2	
PART NO	vigor
1	90±30
2	130±30
3	180±30
4	250±30
5	350±50

NO.3-NO.4	
PART NO	NOTE
01~99	SERIAL NUMBER



⑥	Knob	—	1	Brass	Yellow	—
⑤	Cover	—	1	SUS	Natural	—
④	Dust Cover	—	1	Kapton Film	Yellow	—
③	Terminal	—	4	Phosphor Bronze	Plating silver	—
②	Contact	—	1	F.Ag/SUS	Natural	—
①	Base	—	1	Nylon	Black	—
ITEM	PART NAME	TER'NO.	QTY.	MATERIAL	FINISHING	REMARK

APPROVALS		DATE	HRO 睿 ELECTRONICS CO.,LTD			
DRAWN	xu qi feng	2014/10/31	TITLE:		TACT SWITCHS	
CHECKED			PART NO.		K2-1187SQ-□□SW-□□	
APPROVALS			UNIT: mm		SCALE: 1:1	PROJ:
TOLERANCES ARE		30~以上 ±0.30	10~30 ±0.20	ANGLE	UNIT: mm	SCALE: 1:1
		5~10 ±0.15	~ 5 ±0.10	±2°	DRAWING NO.	SHEET 1 OF 1

ECN NO.	REV.	DATE.	DESCRIPTION.	CHANGE.	CHECK.	APPRO.
	A		NEW			