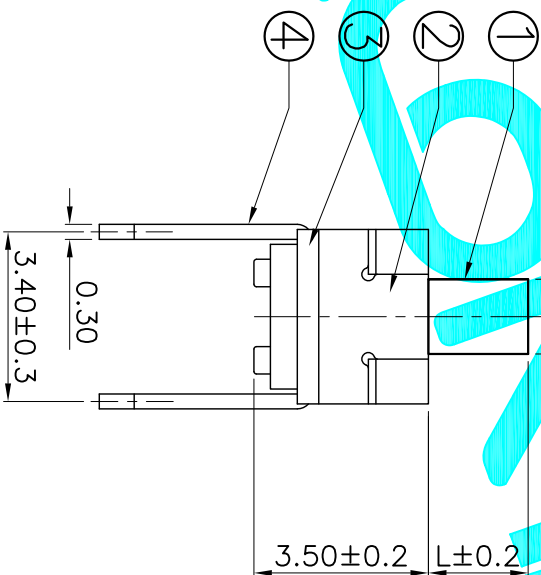
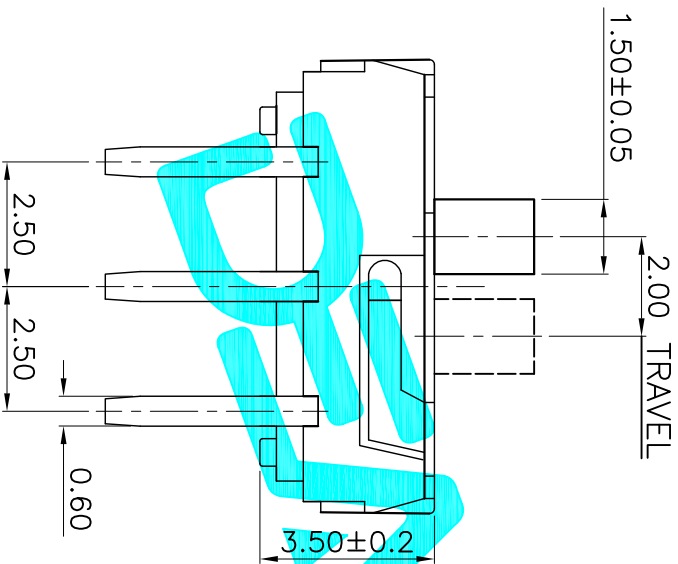
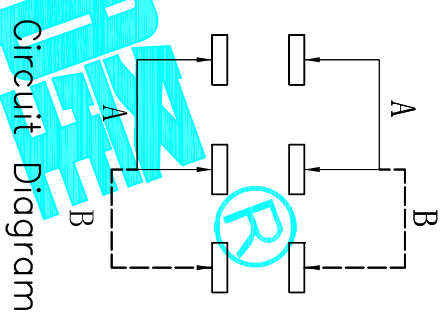


PCB Layout(Pattern side)



PART NO.	L	Operating force
MS-22D16-G2	2	200±100gf
MS-22D16-G3	3	
MS-22D16-G4	4	

ITEM	PART NAME	QTY.	MATERIAL	FINISHING
⑤	Contact Spring	2	Beryllium copper	Ag Plated
④	Terminal	6	Brass Strip	Ag Plated
③	Base	1	NYLON	Black
②	Cover	1	SUS	Natural
①	KNOB	1	NYLON	White

APPROVALS		DATE	DRAWING NO.	
DRAWN	G.M.Chen	2014/8/18	MS-22D16-G	
CHECKED			SLIDE SWITCHES	
APPROVALS			ELECTRONICS CO.,LTD	
TOLERANCES ARE		30 ^{±0.15}	±0.30	ANGLE
		10 ^{±0.20}	±0.20	UNIT: mm
		9 ^{±0.15}	±0.15	SCALE: 1:1
		5 ^{±0.10}	±0.10	SHEET 1 OF 1
ECN NO.	REV.	DATE.	DESCRIPTION.	CHANGE.
	A		NEW	CHECK.
				APPRO.



DEALON 德之隆