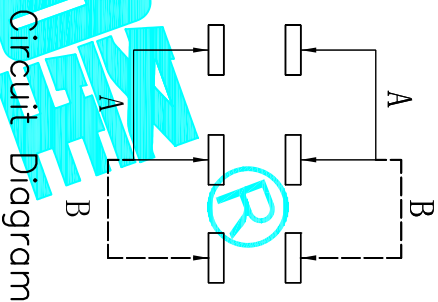
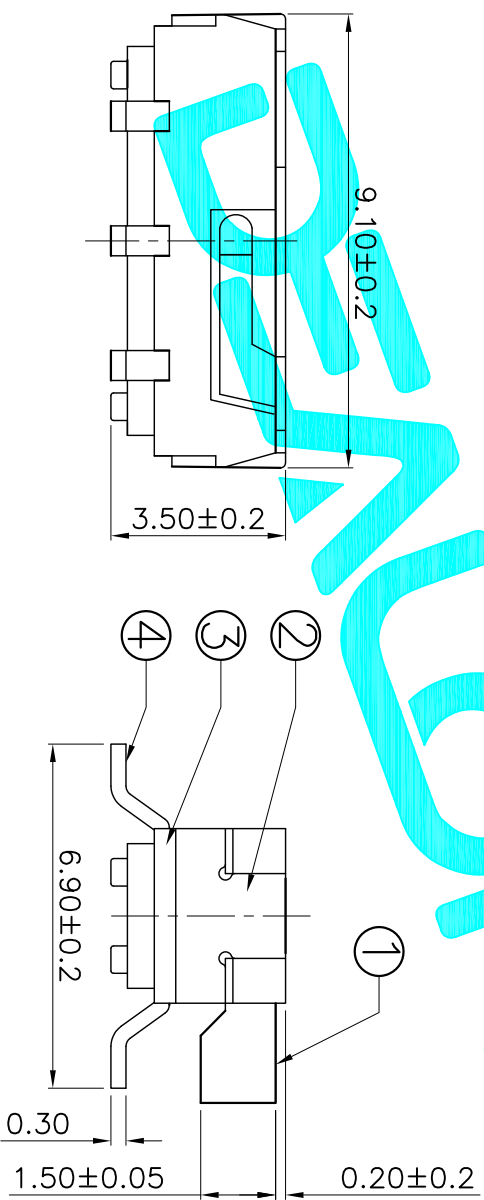


PCB Layout (Pattern side)



Circuit Diagram



PART NO.	L	Operating force
MK-22D12-G2	2	200±100gf
MK-22D12-G3	3	
MK-22D12-G4	4	

ITEM	PART NAME	QTY.	MATERIAL	FINISHING
⑤	Contact Spring	2	Beryllium copper	Ag Plated
④	Terminal	6	Brass Strip	Ag Plated
③	Base	1	NYLON	Black
②	Cover	1	SUS	Natural
①	KNOB	1	NYLON	Black

APPROVALS		DATE	TITLE:
DRAWN	G.M.Chen	2014/8/18	SLIDE SWITCHES
CHECKED			
APPROVALS			



ECN NO.	REV.	DATE.	DESCRIPTION.	CHANGE.	CHECK.	APPRO.	TOLERANCES ARE	30 ^{±0.15}	10 ^{±0.30}	5 ^{±0.10}	ANGLE	UNIT:	SCALE:	SHEET	PROJ.
	A		NEW				~ 5	±0.30	±0.20	±0.15	±2°	mm	1:1	1 OF 1	