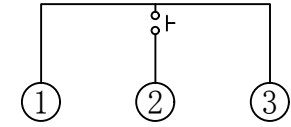
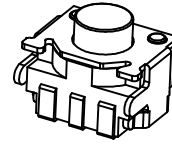
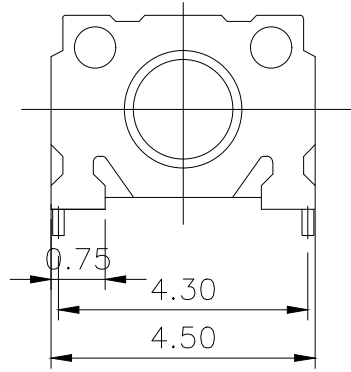
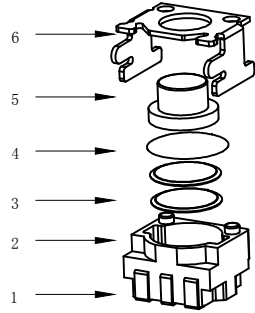


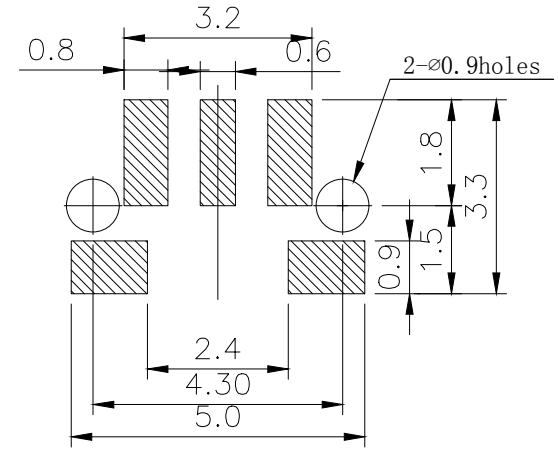
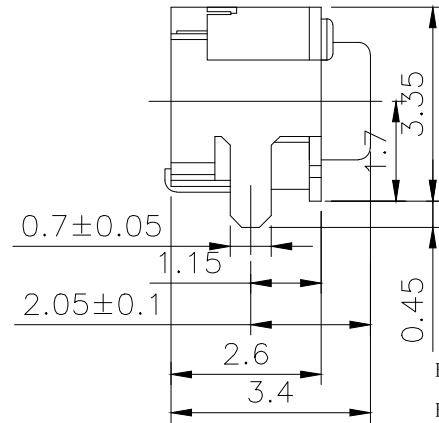
RoHS

CAD GENERATED DRAWING. DON'T CHANGE BY HAND.

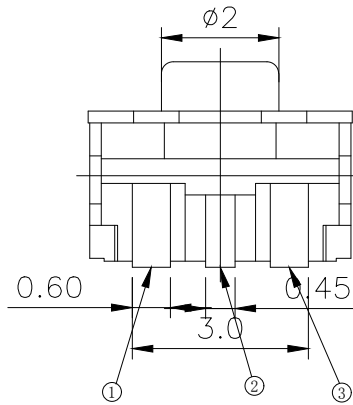
REV.	ECN. NO.	APPD.



CIRCUIT DIAGRAM



PCB. WELDING DRAWING



Specification

Rate voltage,current	50mA DC12V
Contact resistance	≤100mΩ
Operating force	220±50gf
Travel	0.20±0.10mm
Insulated resistance	≥100MΩ
Dielectric strength	≥250VAC/1min
Life cycle	≥100000次

ITEM	PART NAME	Q' TY	MATERIAL	FINSH/COLOR
6	Cover	1	Phosphor copper	Silver
5	Dust film	1	Polyimide	Orange
4	Button	1	LCP	Maize
3	Shrapnel	2	Stainless steel	Silver
2	Housing	1	PPA	Black
1	Cards	1	Phosphor copper	Silver

X. ±0.50	X.° ± 2°	UNITS
.X ±0.30	.X° ± 1°	mm
.XX ±0.10	.XX° ± 0.5°	MAT'L
.XXX ± 0.05		FINISH
THESE DRAWINGS AND SPECIFICATIONS ARE THE PROPERTY OF YIYUAN TECHNOLOGY CO.,LTD AND SHALL NOT BE REPRODUCED, COPIED OR USED IN ANY MANNER WITHOUT THE PRIOR WRITTEN CONSENT OF YIYUAN TECHNOLOGY CO.,LTD		Q' TY



深圳市怡远科技有限公司
SHENZHEN YIYUAN TECHNOLOGY CO., LTD

PART NO. YTS-A020-2	TITLE: TACTILE SWITCH
APPD: ROGER	DWG NO. : YTS-A020-2
CHKD: ROC	
DR: BILLY WANG 2020/08/21	

SCALE	SHEET	REV.
1/1	1/1	A1