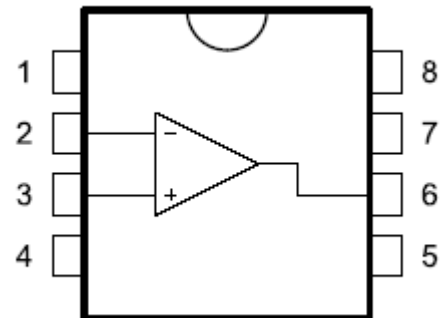


GENERAL PURPOSE SINGLE OPERATIONAL AMPLIFIER

FEATURES

- Large input voltage range
- No latch-up
- High gain
- Short-circuit protection
- No frequency compensation

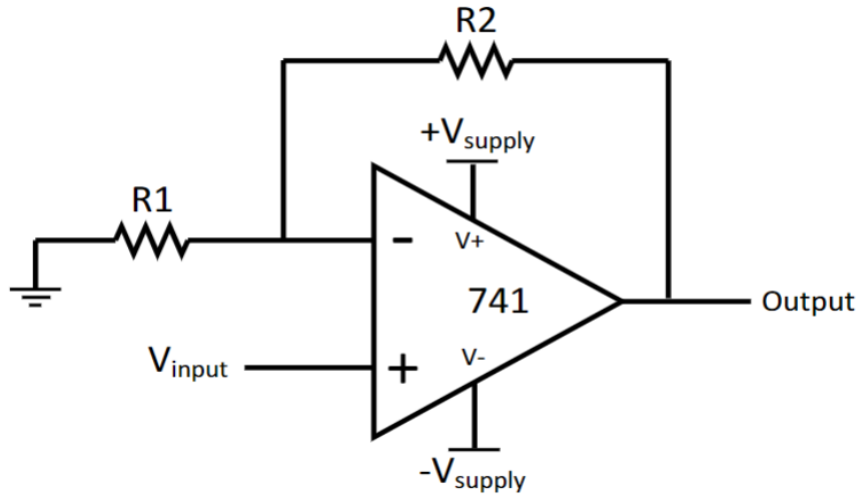
PIN CONNECTIONS



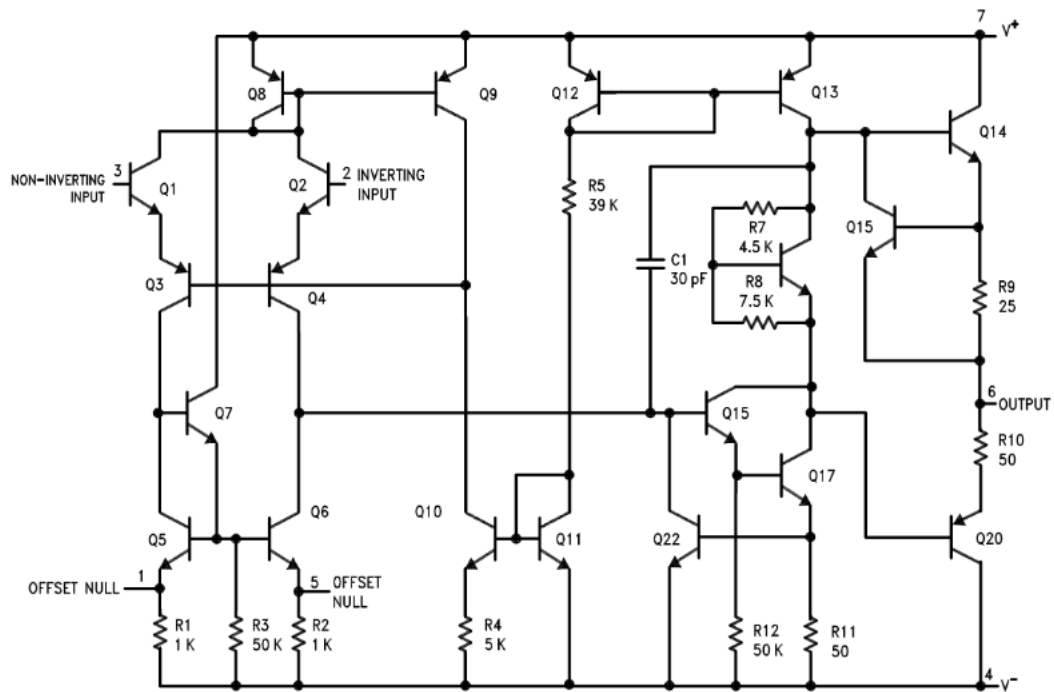
PIN LOCATION AND FUNCTIONAL PURPOSE

PIN		I/O	DESCRIPTION
NAME	NO.		
INVERTING INPUT	2	I	Inverting signal input
NC	8	N/A	No Connect, should be left floating
NONINVERTING INPUT	3	I	Noninverting signal input
OFFSET NULL	1, 5	I	Offset null pin used to eliminate the offset voltage and balance the input voltages.
OFFSET NULL			
OUTPUT	6	O	Amplified signal output
V+	7	I	Positive supply voltage
V-	4	I	Negative supply voltage

Typical Application



Functional Block Diagram



ELECTRICAL CHARACTERISTICS

 Electrical characteristics at $V_{cc} = \pm 15\text{ V}$, $T_{amb} = 25^\circ\text{C}$ (unless otherwise specified)

Parameter, unit	Symbol	$T_{min} \leq T_{amb} \leq T_{max}$ (0°C) (70°C)		$T_{amb} = (25 \pm 5)^\circ\text{C}$	
		min	max	min	max
1. Input offset voltage, mV	U_{IO}	-6,0	6,0	-5,0	5,0
2. Input current, nA	I_I	-200,0	200	-100,0	100,0
3. Input offset current, nA	I_{IO}	-70,0	70,00	-30,0	30,0
4. Large signal voltage gain, V/mV ($R_L = 2\text{ k}\Omega$)	A_u	25	-	50	-
5. Supply voltage rejection ratio, dB	K_{SVR}	77	-	77	-
6. Supply current, no load, mA	I_{CC} ($I_{CC1} I_{CC2}$)	-	3,3	-	2,8
7. Input common mode voltage range, V	$U_{IC\ max}$	12	-12	12	-12
8. Common mode rejection ratio, dB	K_{CMR}	70	-	70	-
9. Output voltage swing, V $R_L = 10\text{ k}\Omega$ $R_L = 2\text{ k}\Omega$	$U_o\ max$	12 10	-12 -10	12 10	-12 -10
10. Output short-circuit current, mA	$I_{OS}^{1)}$	-	-	10	-
11. Slew rate, V/ μs $R_L = 2\text{ k}\Omega$, $C_L = 100\text{ pF}$, $U_I \pm 10\text{ V}$	$S_{VOM}^{1)}$	-	-	0,25	-
12. Gain bandwidth product, MHz $U_I = 10\text{ mV}$, $R_L = 2\text{ k}\Omega$, $C_L = 100\text{ pF}$, $f = 100\text{ kHz}$	$f_1^{1)}$	-	-	0,7	-
13. Input resistance, $M\Omega$	$R_I^{1)}$	-	-	0,3	-

¹⁾ Parameter is guaranteed

MAXIMUM AND ABSOLUTE MAXIMUM RATINGS

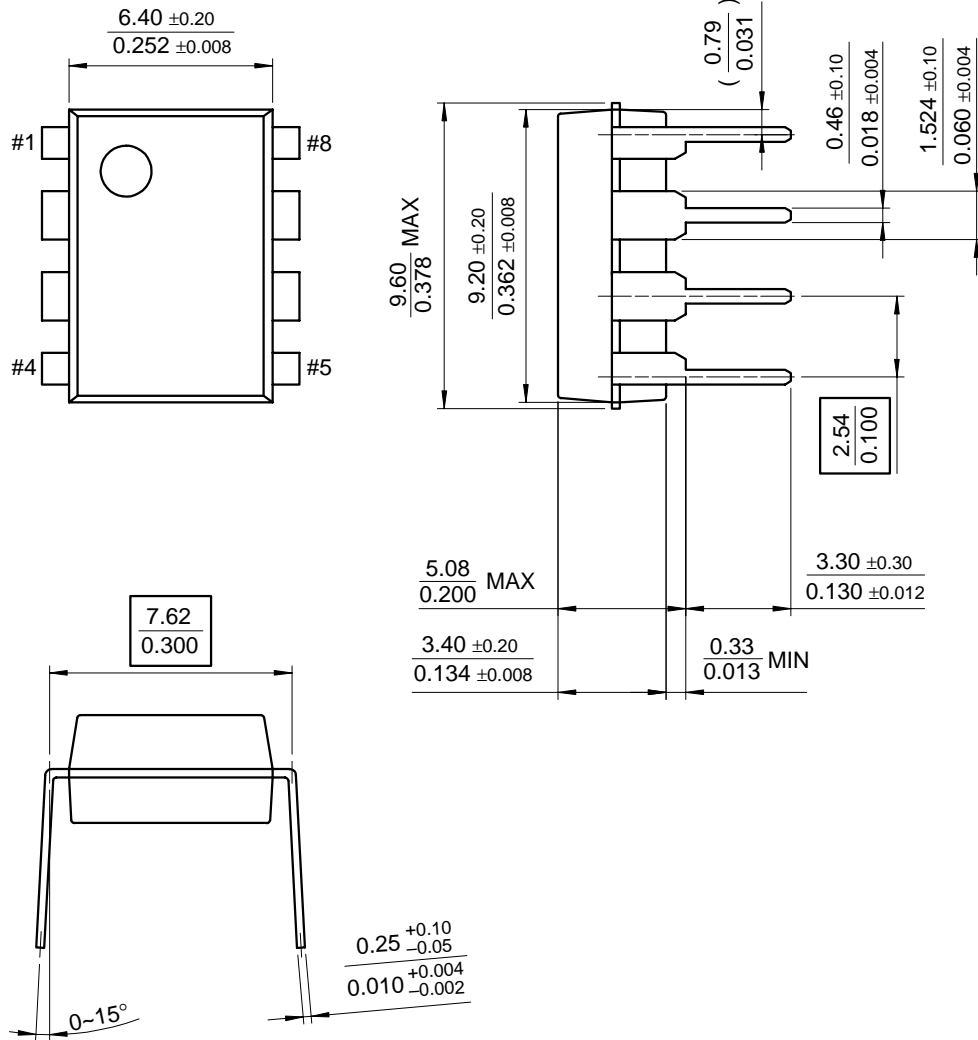
Parameter, unit	Symbol	Maximum ratings		Absolute maximum ratings	
		min	max	min	max
Supply voltage, V	U_{cc}	± 5	± 18	± 4.5	± 20
Common mode input voltage range, V	U_{ICM}	-	± 12	-	± 15

Mechanical Dimensions

Package

Dimensions in millimeters

8-DIP



Mechanical Dimensions (Continued)

Package

Dimensions in millimeters

8-SOP

