



盒装型金属化聚丙烯膜电容器---CBB21B(MPB)系列

Metallized Polypropylene Film Capacitors(Box)---CBB21B(MPB)series

引用标准 Reference standards

GB10190(IEC384-16)

结构 Structure

介质：（金属化）聚丙烯膜

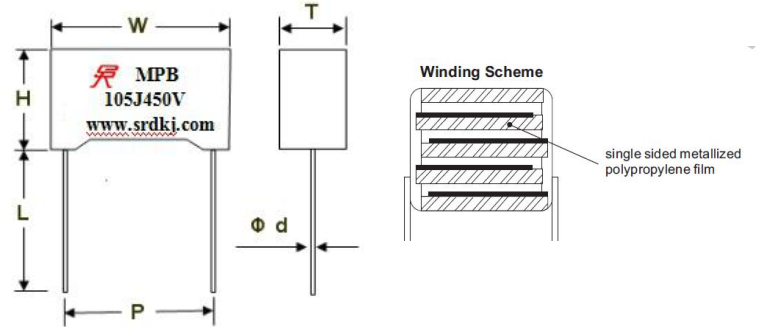
封装：阻燃环氧树脂，符合 UL94 V-0

外壳：阻燃 PBT 塑壳，符合 UL94 V-0

Dielectric: (Metallized) Polypropylene film

Encapsulation: Flame retardant epoxy resin, conforming to UL94 V-0

Shell: Flame retardant PBT plastic shell, conforming to UL94 V-0



典型应用 Typical Application

用于开关电源，电子镇流器和变频器等中间电路直流滤波（如 DC filter,DC-link,PFC 等）

As intermediate circuit capacitor for SMPS, LED driver, inverter (i.e. DC filter,DC-link, DC filter and P.F.C)

特点 Features

有良好自愈性能，缩小产品尺寸，高频损耗小，温升低

Reduced size depended on good self-healing property, low dissipation at high frequency, low temperature rise

符合 RoHS 及 REACH 环保标准 Compliance with RoHs & REACH requirements.

电性能规范 Performance Specifications

气候类别 Climate category	40/105/56				
额定温度 Rated Temperature	85°C				
工作温度范围 Operating Temperature range	-40°C--+105°C. (+85°C~+105°C): decreasing factor 1.5% per °C for R.V(DC) (+85°C~+105°C): 额定电压降额使用系数 1.5% per °C for R.V(DC)				
额定电压 Rated Voltage	450VDC, 630VDC				
容量误差 Capacitance Tolerance	J: ±5%				
容量范围 Capacitance Range	0.47μF~15μF 测试条件 Test Condition: 20°C, 1KHz, 1Vrms				
耐电压 Withstand Voltage	1.6U _R ,5S	无击穿或飞弧 No breakdown or electric arcing			
损耗角 Dissipation factor	≤0.001 (1KHz)		测试条件 Test Condition : 20°C 1Vrms		
绝缘电阻或时间常数 Insulation Resistance	CR≤0.33μF IR≥30000MΩ CR>0.33μF IR≥10000S		测试条件 Test Condition : 20°C 100V 1 min		
最大脉冲爬升速率 Max. Pulse Rise Time (dV / dt)	U _R (V)	P10	P15	P22.5	P27.5
	450V	200	120	80	65
	630V	300	180	130	80



盒装型金属化聚丙烯膜电容器---CBB21B(MPB)系列

Metallized Polypropylene Film Capacitors(Box)---CBB21B(MPB)series

电性能规范 Performance Specifications

稳态湿热 Steady-state Damp-heat Test	温度 Temp.: 40±2℃ 相对湿度 Humidity: 93%RH 持续时间 Duration Time: 56 Days	无可见损伤, 标志清晰 no visible damage, clear mark 绝缘电阻 IR: ≥ 额定值的 50% IR: ≥ 50% of Rated value 容量变化 (相对初始值): Capacitance change (relative to the initial value): $\Delta C/C \leq \pm 5\%$ 损耗角增加 Dissipation factor: Rise ≤ 0.0020 (1KHz), $C_R > 1\mu F$
耐久性试验 Endurance Test	温度 Temp.: +85℃, 电压 Voltage: 1.25 Times Rated Voltage 持续时间 Duration Time: 1000H	绝缘电阻 Insulation Resistance IR: ≥ 额定值的 50% IR: ≥ 50% of rated value 损耗角增加: ≤ 0.0040 dissipation factor rise: ≤ 0.0040 容量变化 (相对初始值): $\Delta C/C \leq \pm 10\%$ Capacitance change (relative to the initial value): $\Delta C/C \leq \pm 10\%$

产品编码说明 Part No. Description:

15 位产品编码如下:

The Part No. is total 15 digits, details as follow:

1	2	3	4	5	6	7	8	9	10	11	12	13	14	15
M	P	B	1	0	5	J	2	W	D	4	R	8	*	*

- Digit 1-3 型号代码 Product Name Code MPB= CBB21B series
- Digit 4-6 标称容量 Rated Capacitance Value For example : 105 = $10 \times 10^5 \mu F = 1.0 \mu F$
- Digit 7 容量偏差 Capacitance Tolerance J=±5%
- Digit 8-9 额定电压 Rated Voltage Code 2W=450V 2J=630V
- Digit 10-11 壳号 Plastic shell code
- Digit 12 塑壳颜色 Plastic Shell Color R = Grey Color with LOGO on the shell top
- Digit 13 线径代码 Line diameter code 6=0.6 8=0.8
- Digit 14-15 成型或内部识别码 Forming Type or Internal Use



盒装型金属化聚丙烯膜电容器---CBB21B(MPB)系列
Metallized Polypropylene Film Capacitors(Box)---CBB21B(MPB)series

■ 料号明细及尺寸 Part No. List and Dimensions

U _R :450Vdc							
成品编码 Part No.	系列 Series	容量 Capacitance (μ F)	尺寸 Dimension (mm)				
			W \pm 0.5	T \pm 0.5	H \pm 0.5	P \pm 0.5	Φ d \pm 0.05
MPB225J2GF1J8LC	CBB21B	2.2	31.5	10.8	19.5	27.5	0.8

说明 Note: “**”表示内部特征码

“**”=Internal use.

Note: We can customize the capacitors according to customers special requirements.