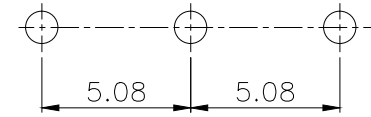
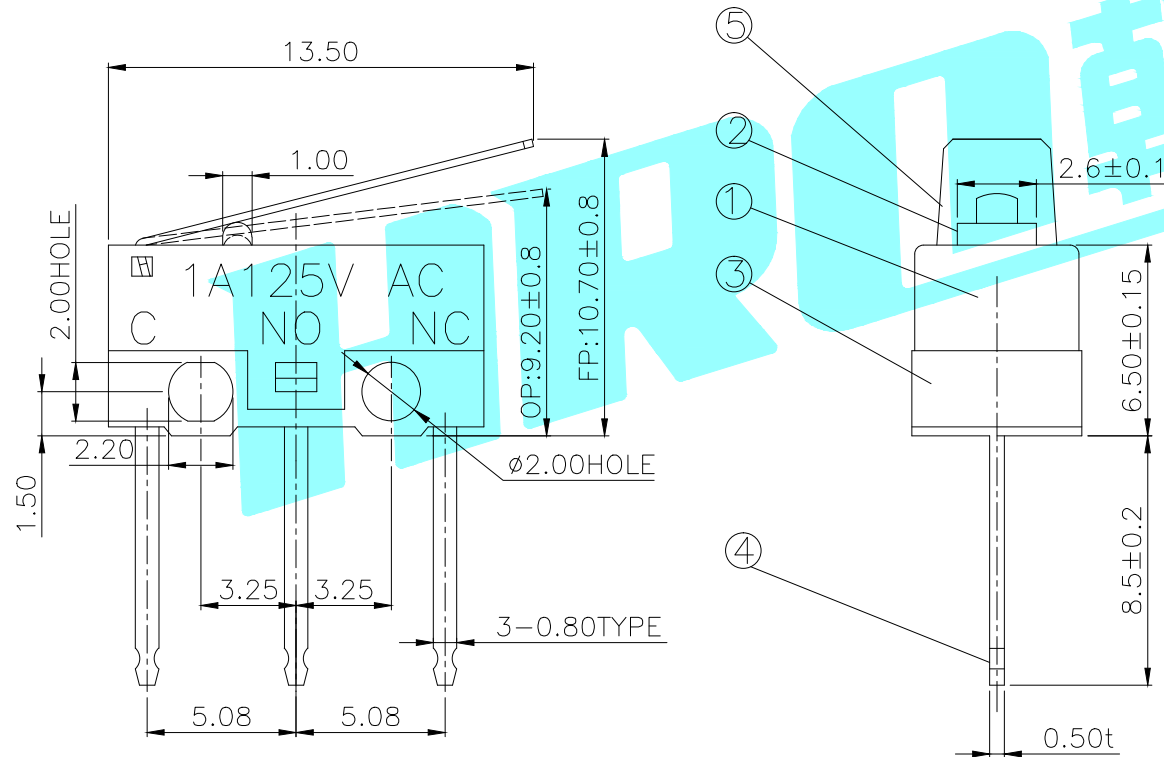


Circuit Diagram



P.C.B layout



NOTE:

- 1.Rating:DC30V 0.1A
- 2.OP:9.20±0.8
- 3.Operating froce:30±15gf
- 4.Mechanical Life:3,000,000

⑦	Shrapnel	—	1	Beryllium Copper	—	—
⑥	Contact	—	1	Ag	—	—
⑤	Lever	—	1	Stainless Steel	—	—
④	Terminal	—	3	Brass(0.50t)	Plating silver	—
③	Housing	—	1	PBT	White	—
②	Knob	—	1	POM	White	—
①	Cover	—	1	PBT	Black	—
ITEM	PART NAME	TER'NO.	QTY.	MATERIAL	FINISHING	REMARK

APPROVALS		DATE		 ELECTRONICS CO.,LTD TITLE: MICRO SWITCHES PART NO. K9-1267H-04			
DRAWN	LIUCAN	2021.3.22					
CHECKED							
APPROVALS							
TOLERANCES ARE			30~以上 ±0.30 10~30 ±0.20 5~10 ±0.15 ~ 5 ±0.10	ANGLE	UNIT: mm	SCALE: 1:1	PROJ:
ECN NO.	REV.	DATE.	CHANGE.	CHECK.	APPRO.	DRAWING NO.	SHEET 1 OF 1

_____	A	_____	NEW	_____	_____	_____
ECN NO.	REV.	DATE.	DESCRIPTION.	CHANGE.	CHECK.	APPRO.