

NOTES1:

UL Standard

1. Rated voltage/current : 300V / 30A
2. Withstanding voltage : AC1600V/1Min.

IEC Standard

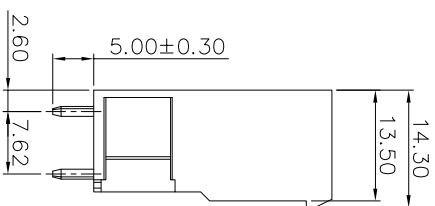
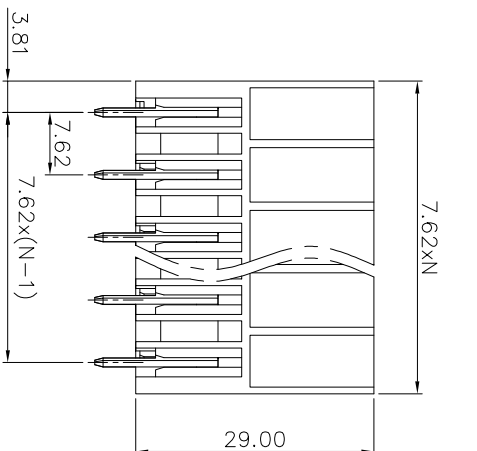
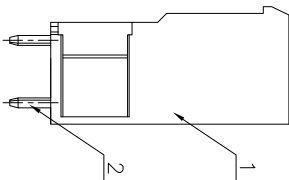
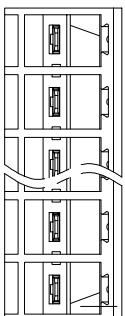
1. Pollution degree	2
Overvoltage category	III
Rate impulse voltage(KV)	4KV
Rate voltage(V)	400V
Rate current(A)	32A

NOTES2:

1. Dimension shall be interpreted per ASME Y14.5-2009
2. Pitch : 7.62mm, Poles : N=02~12P
3. Operating temperature: -30°C~+120°C
4. Undimensioned tolerances:

Pitch range in mm		Nominal dimension range in mm		Pitch range in mm		Nominal dimension range in mm	
Over	To	Over	To	Over	To	Over	To
6	10	30	60	100	150	0.1/10	<
10	24	30	60	100	150	<	<
±0.15	±0.20	±0.30	±0.50	±0.70	±1.00	±1.30	±2°

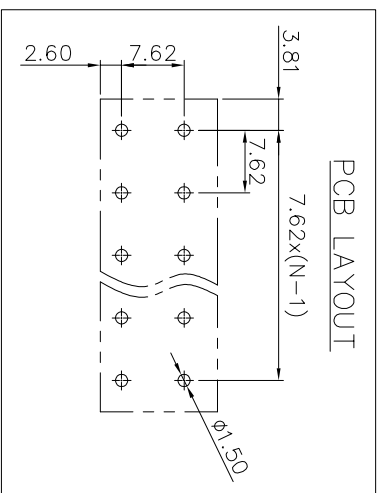
5. RoHS Compliance



Ordering Information

JL5EDGVC-762 XX G 0 1

Pitch 762=7.62PH No.of pins 2P,3P,4P-12P Housing Color B=Black G=Green U=Blue R=Red W=White Y=Yellow D=Orange E=Grey Packing 0=Pe Bag T=Tube A=Tray



REVISION RECORD				
REV	ECN	DESCRIPTION	DRFT	DATE
A0		NEW		20.12.02

**JILIN** 东莞市锦凌电子有限公司  
DONGGUAN JINLING ELECTRONIC CO., LTD

PART NO. JL5EDGVC-762XXG01

TITLE: JL5EDGVC-762-XXP 插拔式公座/绿色

2	Pin header	Copper	Sn Plated
1	Housing	PBT	UL94V-0
ITEM	NAME OF PART	MATERIAL	NOTES

DRAW	SHUANGPING ZHENG
CHECK	LICHAD LIU
APPROVE	YONGLIANG GAO

SCALE	FIT
UNIT	mm
SIZE	A4
SHEET	1/1
PRD	