

SPECIFICATIONS

Rated(额定参数): 300V,10A
 Dielectric strength(抗电强度): AC1500V/1 Minute
 Insulation Resistance(绝缘电阻):1000MΩ Min
 Contact Resistance(接触电阻):20mΩ Max
 Screw Torque(扭矩): 0.2Nm (1.7Lb.in)
 Wire Range(线径):26~14AWG
 Strip length(剥线长度):7~8mm
 Temp. range(操作温度): -40℃~+105℃
 MAX Soldering(瞬时温度):+250℃,5s

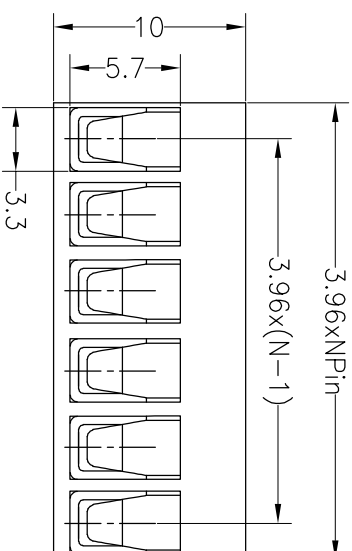
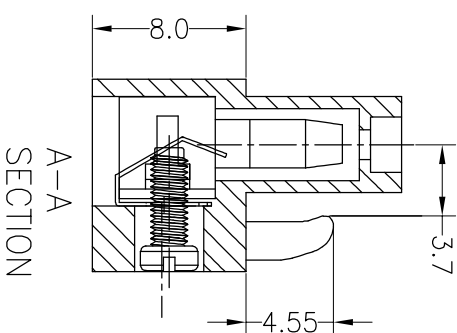
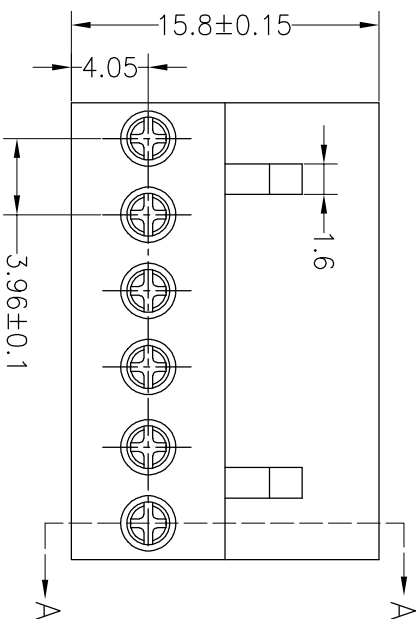
Housing Material(塑件): PA66 (UL94 V-0)
 Contact(端子): Phosphor Bronze, Tin plating(磷铜镀锡)
 Screw (螺丝): M2.0,Steel, Zinc plating(钢,镀锌)

PITCH RANGE		NOMINAL DIMENSION RANGE					
IN MM		IN MM		IN MM		IN MM	
OVER	TO	OVER	TO	OVER	TO	OVER	TO
6	10	10	30	60	100	150	150
6	10	24	30	60	100	150	150
±0.10	±0.15	±0.25	±0.30	±0.30	±0.50	±0.70	±1.00

Ordering Information

JL 396 - 396 XX X X 1

Pitch 396=3.96PH
 No.of pins 2P~20P
 Housing Color
 B=Black
 G=Green
 U=Blue
 R=Red
 W=White
 Y=Yellow
 O=Orange
 E=Grey
 Packing
 O=Pe bog
 A=Troy
 T=Tube



OPERATION		DRAW		SCALE	FIT	PART NO.	
XX	±0.30	yiyusheng	19.05.05	UNIT	mm	JL396-396XXXX1	
X.XX	±0.20	CHECK		SIZE	A4	SHENZHEN JINLING ELECTRONIC CO.,LTD	
X.XXX	±0.10	APPROVE		SHEET	1/1	Tel: 86-755-2997-5806/5802 Fax: 86-755-2997-5992	
Angle	±3'			PROU.		深圳市锦凌电子有限公司	
DIM	TOL					SHENZHEN JINLING ELECTRONIC CO.,LTD	
CHANGE						3.96mm Pitch Female Pluggable Terminal Blocks	
MODIFICATION DESCRIPTION						TITLE:	
NEW DRAWING							
DATE							
REV							