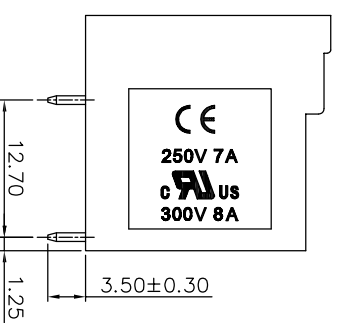
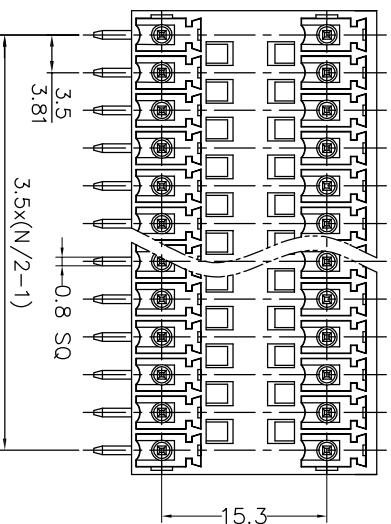
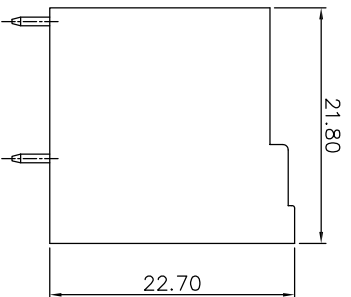


HSF ROHS cPAJ us CE

SPECIFICATIONS

Rated(额定参数): 300V,8A
 Dielectric strength(抗电强度): AC:1500V/1 Minute
 Insulation Resistance(绝缘电阻):1000MΩ Min
 Contact Resistance(接触电阻):20mΩ Max
 Temp. range(操作温度): -40℃~+105℃
 MAX Soldering(瞬时温度):+250℃,5s

Housing Material(塑件): PA66 (UL94 V-0)
 Contact(端子): Brass, Tin plating(黄铜镀锡)



PITCH RANGE		NOMINAL DIMENSION RANGE					
IN MM		IN MM		IN MM		IN MM	
OVER	TO	OVER	TO	OVER	TO	OVER	TO
6	10	30	60	100	100	150	150
10	24	60	100	150	150	150	150
±0.10	±0.15	±0.25	±0.30	±0.50	±0.70	±1.00	±1.00

Ordering Information

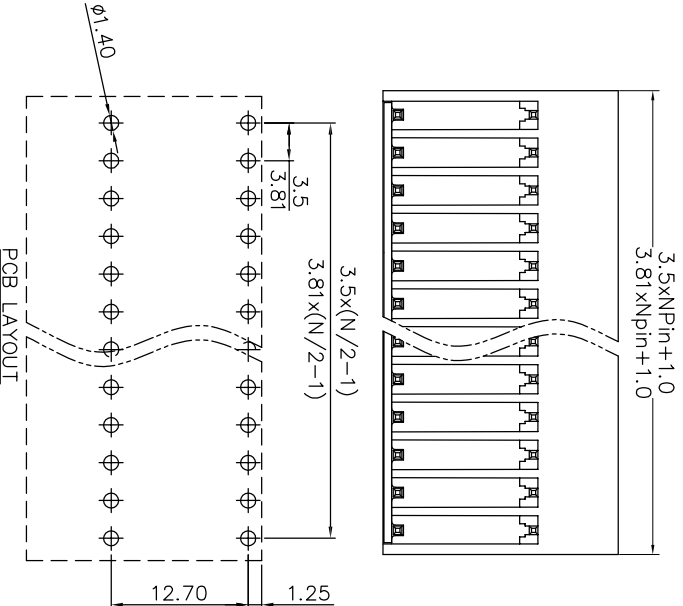
JL15EDGRH - XXX XX X X 1

Pitch
 350=3.50PH
 381=3.81PH

No. of pins
 2P~24P

Housing Color
 B=Black
 G=Green
 U=Blue
 R=Red
 W=White
 Y=Yellow
 O=Orange
 E=Grey

Packing
 0=Pe bog
 T=Tube
 A=Troy



OPERATION		DRAW		SCALE		FIT		PART NO.	
XX	±0.30	yiyusheng	2020.03.13	UNIT	mm	A4	1/1	JL15EDGRH-XXXXXXX1	
X.XX	±0.20	CHECK		SIZE				3.5/3.81mm Pitch Male	
X:XXX	±0.10			SHEET	1/1			Pluggable Terminal Blocks	
Angle	±3°	APPROVE		PROJ.					
DIM	TOL	CHANGE							
REV	DATE	MODIFICATION DESCRIPTION							
1	2020.03.13	NEW DRAWING							

JILN 深圳市锦凌电子有限公司
 SHENZHEN JINLING ELECTRONIC CO.,LTD
 Tel: 86-755-2997-5806/5802 Fax: 86-755-2997-5992