

SPECIFICATIONS

Rated(额定参数): 300V,15A

Dielectric strength(抗电强度): AC2000V/1 Minute

Insulation Resistance(绝缘电阻):1000MΩ Min

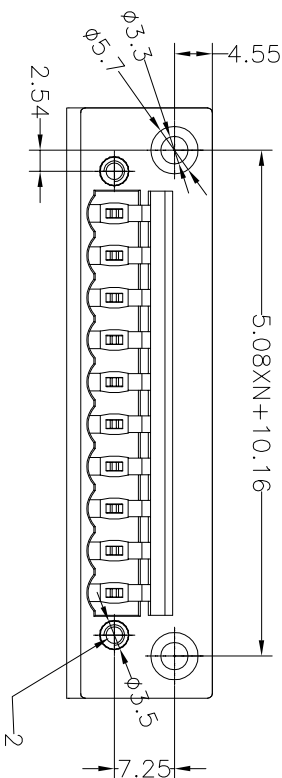
Contact Resistance(接触电阻):20mΩ Max

Temp. range(操作温度): -40℃~+105℃

MAX Soldering(瞬时温度):+250℃,5s

Housing Material(塑件): PA66 (UL94 V-0)  
Contact(端子): Brass, Tin plating(黄铜镀锡)

REVISION RECORD				
REV	ECN	DESCRIPTION	DRFT	DATE
A1		更改品名		21.05.13



PITCH RANGE		NOMINAL DIMENSION RANGE					
IN MM		IN MM		IN MM		IN MM	
OVER	TO	OVER	TO	OVER	TO	OVER	TO
6	10	10	24	30	60	100	150
±0.10	±0.15	±0.25	±0.30	±0.30	±0.50	±0.70	±1.00

## Ordering Information

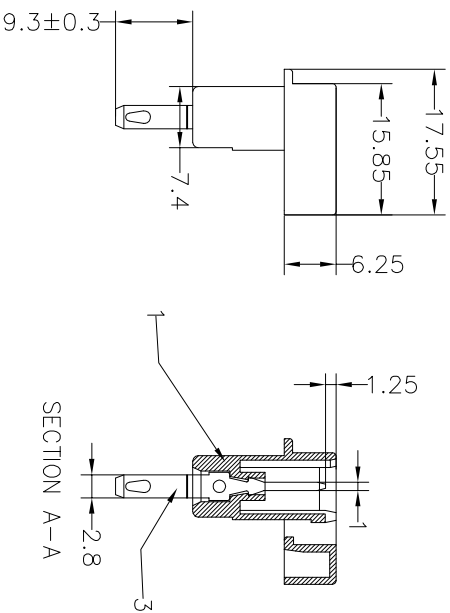
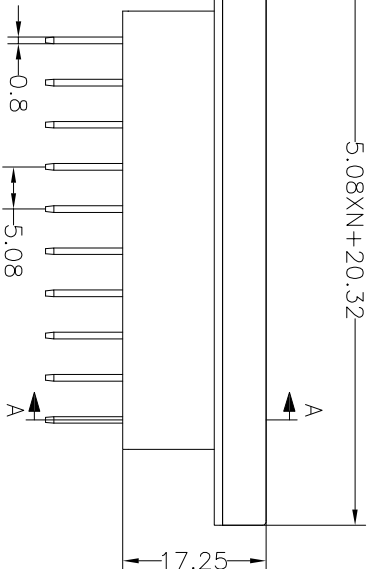
JL2CDGB-508 XX G X 1

Pitch  
508=5.08PH

No.of pins  
2P~24P

Housing Color  
B=Black  
G=Green  
U=Blue  
R=Red  
W=White  
Y=Yellow  
O=Orange  
E=Grey

Packing  
0=Pe-bag  
A=Tray  
T=Tube



DRAW	SHUANGPING ZHENG		SCALE	FIT	PART NO.	TITLE:
	UNIT	mm				
CHECK	LICHAO LIU		SIZE	A4	SHEET	1/1
APPROVE	YONGLIANG GAO		PROJ.			

**JILIN** 东莞市锦凌电子有限公司  
DONGGUAN JILIN ELECTRONIC CO., LTD