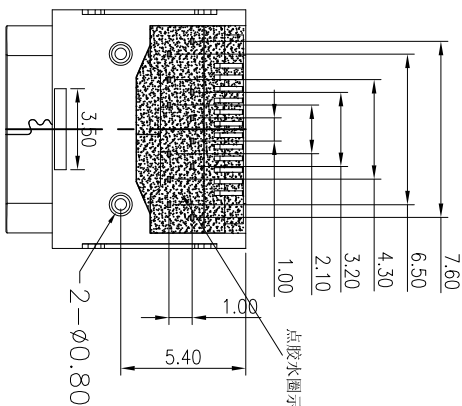
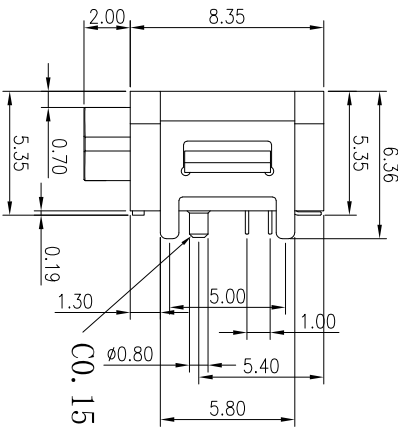
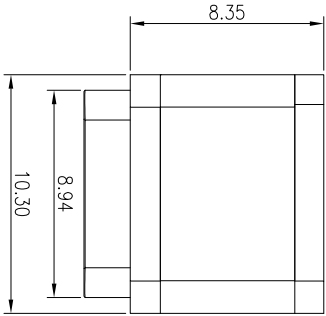
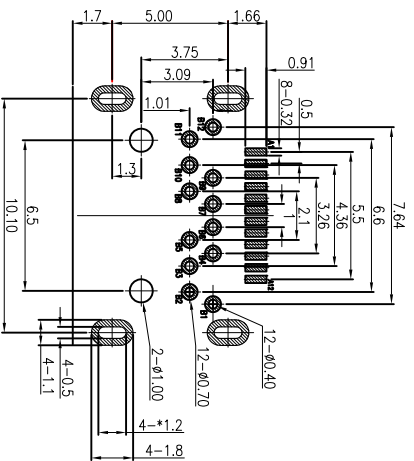
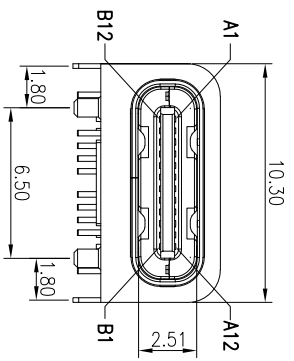
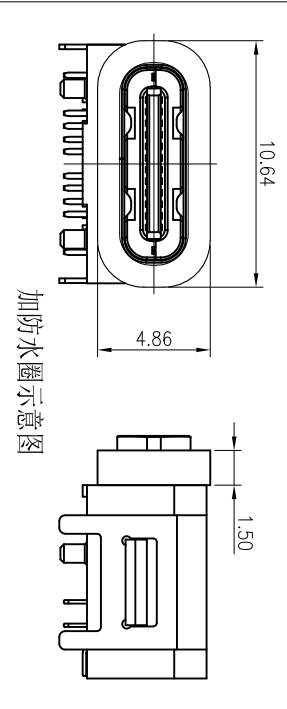
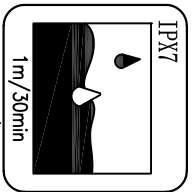


点胶水圈示意图



- NOTE:
- MECHANICAL PERFORMANCE:
 - 1-1. INSERTION FORCE: 0.5~2.0kgf.
 - 1-2. REMOVAL FORCE: 0.8kgf~2.0kgf.
 - 1-3. DURABILITY: 10000 CYCLES.
 - ELECTRICAL PERFORMANCE:
 - 2-1. CURRENT RATING: 3.0A VOLTAGE RATING: 5.0V
 - 2-2. LCR: VBUS & GND PINS AND OTHER PINS: 40mΩ/PIN MAX. SHIELD: 50mΩ/MAX. ILCR MAX. CHANGE OF ALL PINS: 10mΩ.
 - 2-3. INSULATION RESISTANCE: 100MΩ MIN.
 - 2-4. DIELECTRIC WITHSTAND VOLTAGE: AC 100V FOR 1 MINUTE.
 - ENVIRONMENTAL PERFORMANCE:
 3. OPERATING TEMPERATURE: -25°C~+85°C.
 4. AIR-REFLOW: THE PEAK TEMPERATURE ON THE BOARD SHALL BE MAINTAINED FOR 10 SECONDS AT 260°C.



A1	GND	B12	GND
A2	SSTX*P1	B11	SSTX*P1
A3	SSTX*N1	B10	SSTX*N1
A4	VBUS	B09	VBUS
A5	CC1	B08	VBUS
A6	DP1	B07	DN2
A7	DN1	B06	DP2
A8	SBU1	B05	CC2
A9	VBUS	B04	VBUS
A10	SSRX*N2	B03	SSRX*N2
A11	SSRX*P2	B02	SSRX*P2
A12	GND	B01	GND
PIN	SIGNAL NAME	PIN	SIGNAL NAME



G-Switch Electronic (HongKong) CO., Ltd.

Unless otherwise specified, Tolerance:
 X ±0.30
 X.X ±0.20
 X.XX ±0.15
 X.XXX ±0.10
 Angles ±3

DESIGN	Bright Lee	DATE	2016.05.29
CHECKED		DATE	
APPROVED		DATE	
http://www.dg-switch.com			
TEL: 0769-82388879			

Mold code: **GT-USB-7075A**
 REV.: X1 SCALE: 4:1 UNIT: mm
 SIZE: A4 SHEET: 1/1

