

Circuit

P.C.B Layout



### GT-LS605XXX-LX

Product Type  
6×6

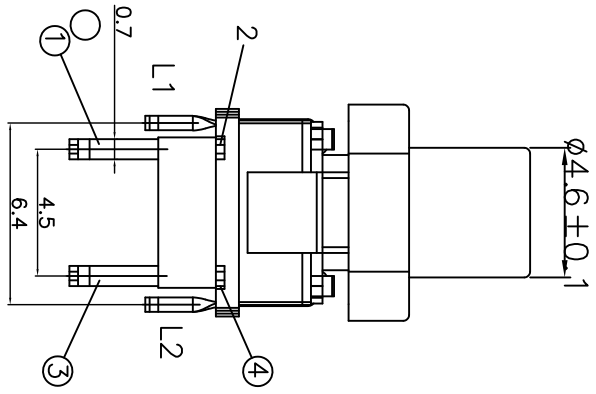
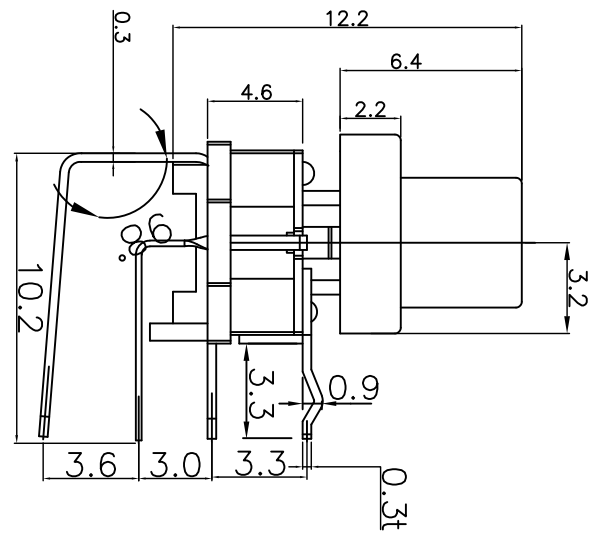
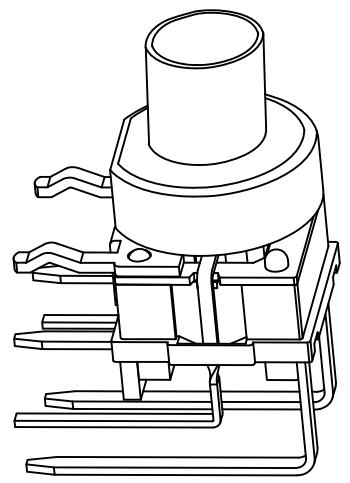
G-SWITCH

Operating Force  
A=160gf  
B=250gf  
C=100gf

Lifetime  
L05=50,000 Cycles  
L1=100,000 Cycles

LED Color  
N=无  
R=红色  
Y=黄色  
G=绿色  
U=蓝色  
W=白色  
O=橙色  
R/U=红发蓝  
X/0=客制化

键帽颜色  
A=透明 (PC)  
B=黑色 (PA66)  
C=白色 (POM)  
D=米黄色 (PA66)



G-Switch Specification:  
Operating temperature range: -30°C to +85°C  
Rating: 50mA, 12V DC  
Insulation resistance: 100MΩ min, 100V DC  
Dielectric strength: 250V AC for 1 min  
Contact resistance: 100mΩ max.  
Travel: 0.25±0.1mm



**G-Switch Electronic Technology CO., Ltd.**



Unless otherwise specified, Tolerance:  
±0.30  
X ±0.20  
X X  
X X X  
X X X X  
Angles ±3

DESIGN	陈锋枫	DATE	2016.05.29	TITLE:	GT-LS605XXX-LX
CHECKED		DATE		REV.: X1	SCALE: 4:1
APPROVED		DATE		SIZE: A4	SHEET: 1/1
<a href="http://www.dg-switch.com">http://www.dg-switch.com</a> TEL: 0769-82388879				UNIT:	mm