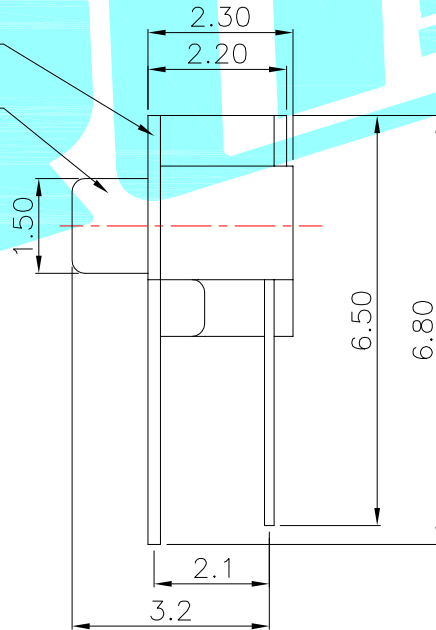
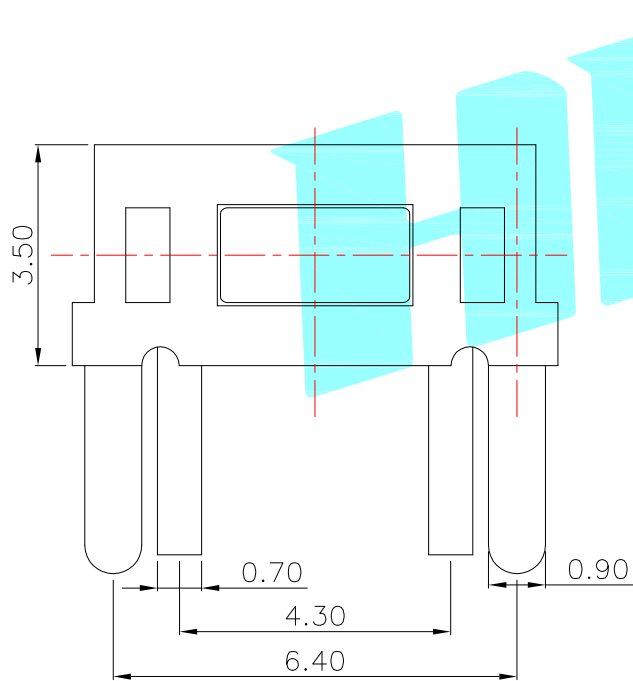


PCB Layout recommended



NO.1	
PART NO	vigor
1	90±30
2	130±30
3	180±30
4	250±30
5	350±50

NO.3-NO.4	
PART NO	NOTE
01~99	SERIAL NUMBER

⑤	Terminal	—	2	Phosphor Bronze	Plating silver	——
④	Contact	—	1	F.Ag/SUS	Natural	——
③	Base	—	1	LCP	White	——
②	Cover	—	1	Brass(0.20t)	Plating Nickel	——
①	Keystoke	—	1	LCP	Black	——
ITEM	PART NAME	TER'NO.	QTY.	MATERIAL	FINISHING	REMARK

APPROVALS		DATE		 ELECTRONICS CO.,LTD		
DRAWN	BIN.YAN	2019.8.1				
CHECKED				PART NO.	K2-1112DT-A□SW-□□	
APPROVALS				UNIT: mm	SCALE: 1:1	PROJ:
TOLERANCES ARE				ANGLE	DRAWING NO.	SHEET 1 OF 1
				30~以上 ±0.30		
				10~30 ±0.20		
				5~10 ±0.15		
				~ 5 ±0.10		

ECN NO.	REV.	DATE.	DESCRIPTION.	CHANGE.	CHECK.	APPRO.
	A		NEW			