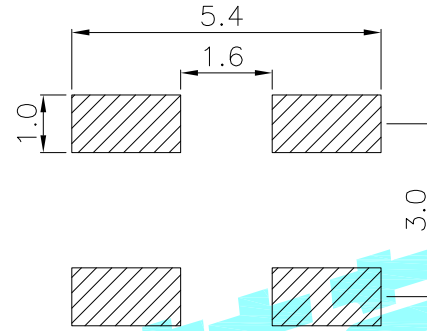
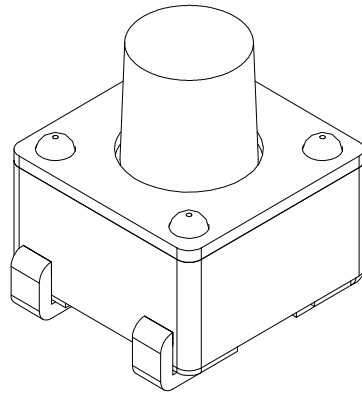
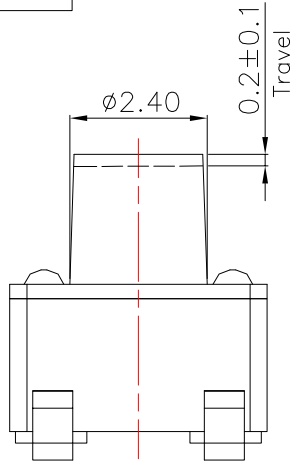
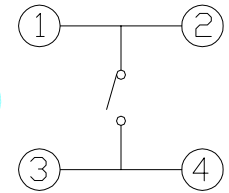


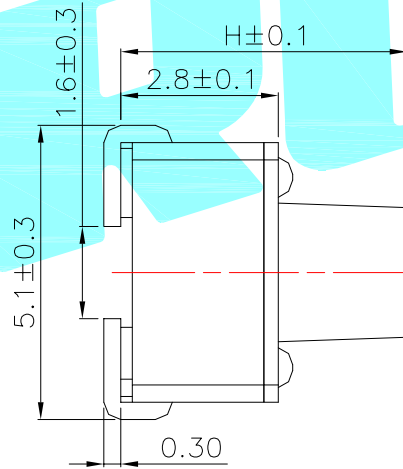
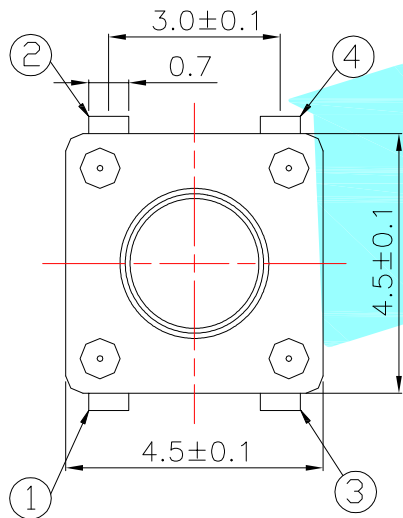
**ROHS**



PCB Layout(Pattern Side)



Circuit diagram



NO.1	
PART NO	H
A	3.8
B	4.3
C	4.8
D	5
E	5.5
F	6
G	6.5
H	7
I	7.5
J	8
K	8.5
L	9
M	10

NO.2	
PART NO	vigor
3	180±30
4	250±30

NO.3-NO.4	
PART NO	NOTE
01~99	SERIAL NUMBER

⑤	Terminal	—	4	Brass(0.30t)	Plating silver	—
④	Contact	—	1	F.Ag/SUS	—	—
③	Base	—	1	PPA	Black	—
②	Cover	—	1	SPCC	—	—
①	Keystoke	—	1	PPA	Black	—
ITEM	PART NAME	TER'NO.	QTY.	MATERIAL	FINISHING	REMARK

APPROVALS		DATE	HROELECTRONICS® ELECTRONICS CO.,LTD			
DRAWN	LIUCAN	2021.11.6	TITLE:	TACT SWITCHS		
CHECKED			PART NO.	K2-1109UP-□□SW-□□		
APPROVALS			UNIT: mm	SCALE: 1:1	PROJ:	
TOLERANCES ARE		30~以上 ±0.30 10~30 ±0.20 5~10 ±0.15 ~ 5 ±0.10	ANGLE	±2'	DRAWING NO.	
ECN NO.	REV	DATE.	DESCRIPTION.	CHANGE.	CHECK.	APPRO.

NEW						
ECN NO.	REV	DATE.	DESCRIPTION.	CHANGE.	CHECK.	APPRO.