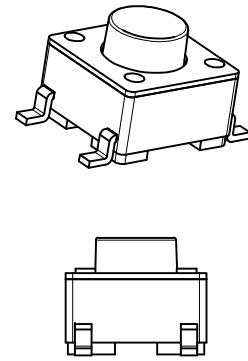
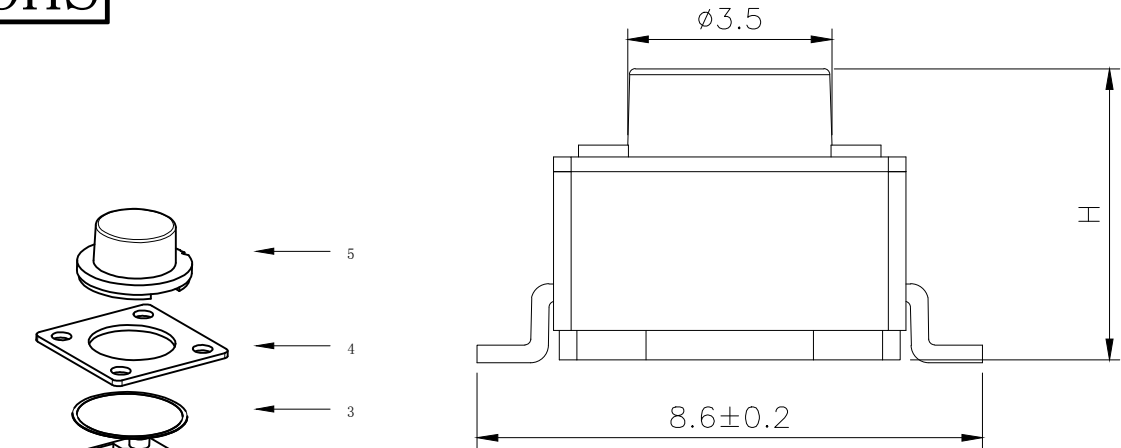


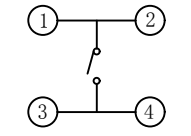
RoHS

CAD GENERATED DRAWING. DON'T CHANGE BY HAND.

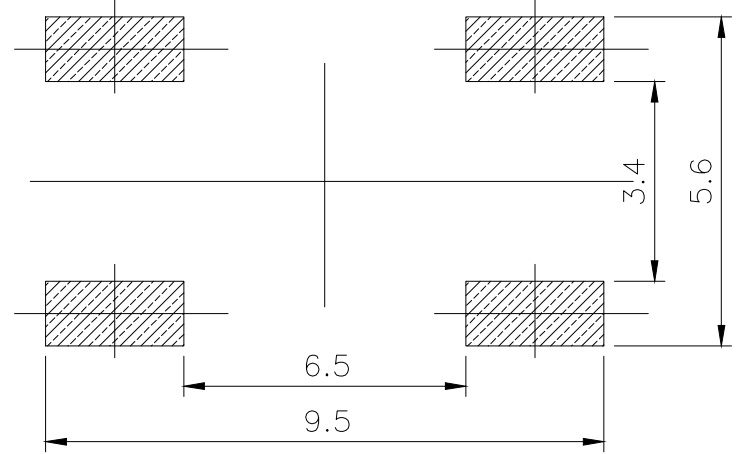
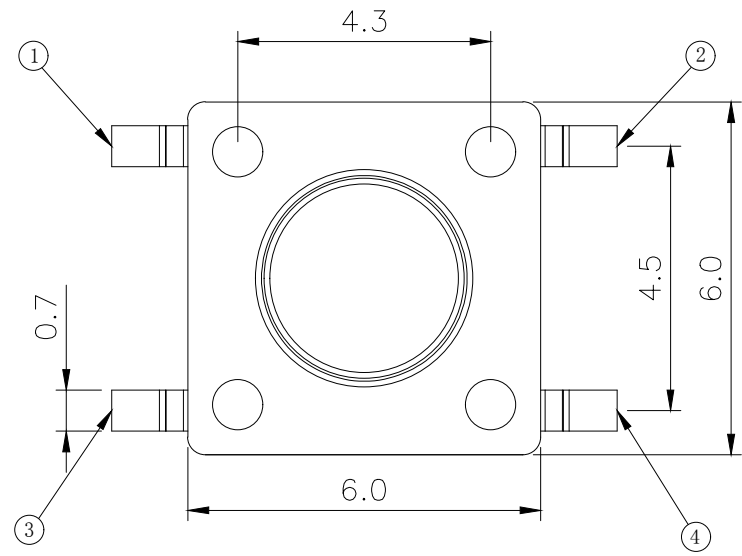
REV.	ECN. NO.	APPD.



H		H	
A	4.3	B	4.5
C	5.0	D	5.5
E	6.0	F	6.5
G	7.0	H	7.5
I	8.0	J	8.5
K	9.0	L	9.5
M	10.0	N	10.5
O	11.0	P	12.0



CIRCUIT DIAGRAM



PCB. WELDING DRAWING

Specification

Rate voltage.current	50mA DC12V
Contact resistance	≤100mΩ
Operating force	250±50gf
Travel	0.25±0.10mm
Insulated resistance	≥100MΩ
Dielectric strength	≥250VAC/1min
Life cycle	≥30000次

ITEM	PART NAME	Q' TY	MATERIAL	FINSH/COLOR
5	Button	1	PPA	Black
4	Cover	1	Iron	Copper tin plating
3	Shrapnel	1	Phosphor copper	Double silver
2	Housing	1	PPA	Black
1	Cards	1	Brass	Silver

X.	±0.50	X.°	± 2°
.X	±0.30	.X°	± 1°
.XX	±0.10	.XX°	± 0.5°
.XXX	±0.05		

THESE DRAWINGS AND SPECIFICATIONS ARE THE PROPERTY OF YIYUAN TECHNOLOGY CO.,LTD AND SHALL NOT BE REPRODUCED, COPIED OR USED IN ANY MANNER WITHOUT THE PRIOR WRITTEN CONSENT OF YIYUAN TECHNOLOGY CO.,LTD

UNITS	mm
MAT'L	—
FINISH	—
Q' TY	—



深圳市怡远科技有限公司  
SHENZHEN YIYUAN TECHNOLOGY CO.,LTD

PART NO.	YTS-D003-2H
APPD:	ROGER
CHKD:	ROC
DR:	BILLY WANG 2020/08/21

TITLE:	TACTILE SWITCH	
DWG NO.:	YTS-D003-2H	
SCALE	SHEET	REV.
1/1	1/1	A1