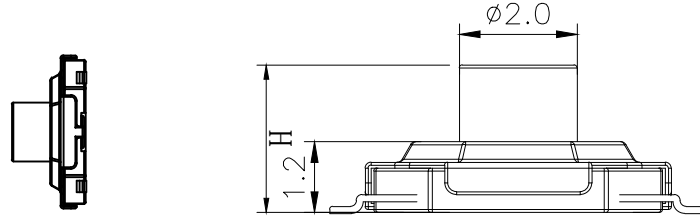
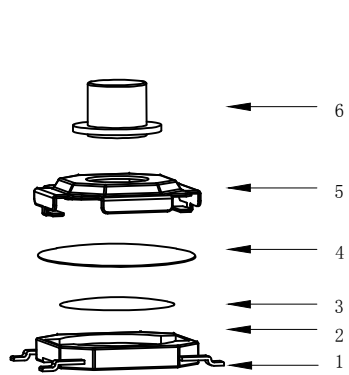


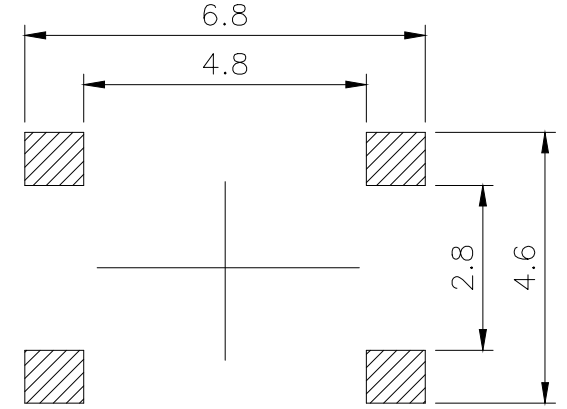
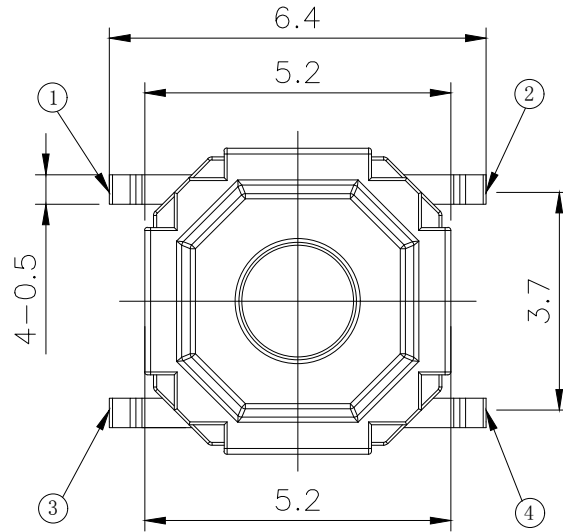
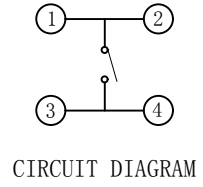
RoHS

CAD GENERATED DRAWING. DON'T CHANGE BY HAND.

REV.	ECN. NO.	APPD.



H			
A	1.5	B	1.7
C	2.0	D	2.3
E	2.5	F	3.0
G	3.5	H	4.0
I	4.3	J	4.5
K	5.0		



PCB WELDING DRAWING

Specification

Rate voltage.current	50mA DC12V
Contact resistance	$\leq 100m\Omega$
Operating force	$160 \pm 50gf$
Travel	$0.20 \pm 0.10mm$
Insulated resistance	$\geq 100M\Omega$
Dielectric strength	$\geq 250VAC/1min$
Life cycle	≥ 100000 次

ITEM	PART NAME	Q' TY	MATERIAL	FINSH/COLOR
6	Button	1	Brass	Pickling
5	Cover	1	Stainless steel	Cleaning
4	Dust film	1	Polyimide	Orange
3	Shrapnel	1	Stainless steel	Silver
2	Housing	1	PPA	Black
1	Cards	1	Brass	Silver

X.	± 0.50	X. °	$\pm 2^\circ$
.X	± 0.30	.X °	$\pm 1^\circ$
.XX	± 0.10	.XX °	$\pm 0.5^\circ$
.XXX	± 0.05		

UNITS	mm	深圳市怡远科技有限公司 SHENZHEN YIYUAN TECHNOLOGY CO.,LTD						
MAT'L	—							
FINISH	—	PART NO. YTS-C005-1H						
Q' TY	—	APPD: ROGER CHKD: ROC DR: BILLY WANG 2020/08/21						
		TITLE: TACTILE SWITCH						
		DWG NO.: YTS-C005-1H						
		<table border="1"> <tr> <td>SCALE</td> <td>SHEET</td> <td>REV.</td> </tr> <tr> <td>1/1</td> <td>1/1</td> <td>A1</td> </tr> </table>	SCALE	SHEET	REV.	1/1	1/1	A1
SCALE	SHEET	REV.						
1/1	1/1	A1						