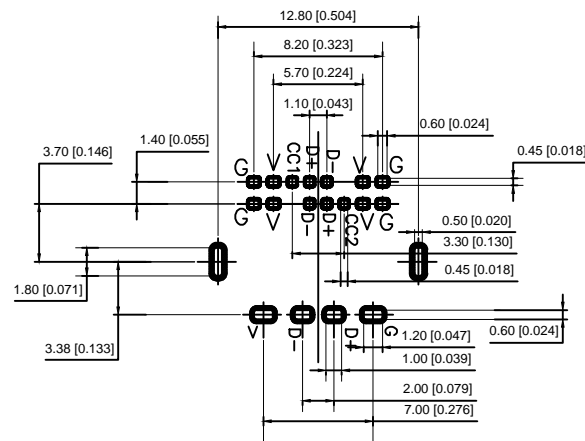
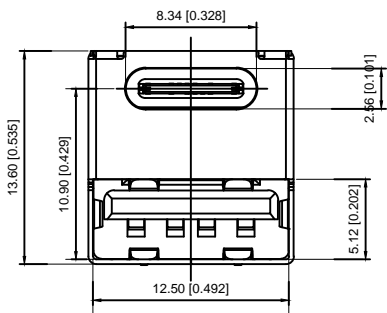
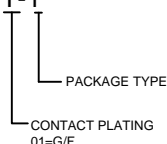


1. CURRENT RATING:
 - a:TYPE-C: 8.0A MAX
 - b:USB2.0: 5.0A MAX
2. Withstanding Voltage: 100V AC
3. TEMPERATURE RANGE: -30 °C ~ 85 °C
4. CONTACT RESISTANCE: 40 MILLIONHM MAX
5. INSULATION RESISTANCE: 100 MEGOHMS
6. LNSERTION FORCE : 5N~20N
7. UNMATING FORCE: 8N~20N (1~1000
6N~20N (10000
8. DURABILITY: 10,000 CYCLES



Recommended P.C.B Layout
Tolerance:±0.05

USB31-TPYE-C-LB01T-1



7	TYPE C MD	HIGH TEMP	BLACK	UL 94V-0
6	CENTER PIECE	STAINLESS STEEL	——	N O Plated
5	TYPE C TERMINAL	COPPER ALLOY	——	Gold Plated
4	CLIP	SEE NOTE	——	Ni Plated
3	USB TERMINAL	COPPER ALLOY	——	Gold Plated
2	SHELL	SEE NOTE	——	Ni Plated
1	HOUSING	HIGH TEMP	BLACK	UL 94V-0
NO.	DESCRIPTION	MATERIAL	COLOR	REMARK

							ANGLAR	±5°
ΔX							L ≤ 4	±0.2
ΔX							4 < L ≤ 16	±0.3
ΔX							16 < L ≤ 63	±0.4
MARK							L > 63	±0.5
REVISIONS								UNSPECIFIED TOLERANCES
www.xk-dg.cn www.helloxkb.com www.helloxkb.cn								

DSND		DATE		SCALE: N/A	MODEL TYPE: 3.1 TYPE C	
DWN		DATE		VIEW:	PART NO.:	
CHKD		DATE		UNIT: mm/in	DWG NO.:	
APPD		DATE		SIZE: A4	USB31-TPPE-C-LB01T-1	
				WEIGHT	SHEET	REVISION
XKB INDUSTRIAL PRECISION CO.,LIMITED				1.0g	1/1	A0