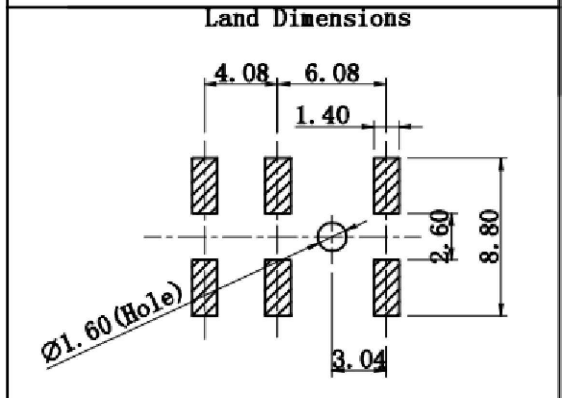
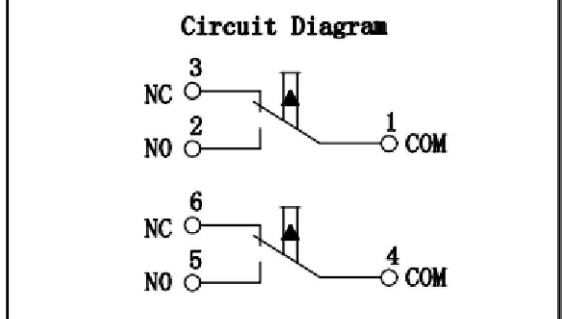
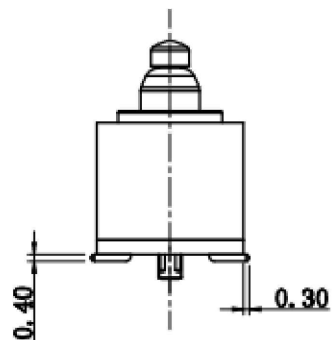
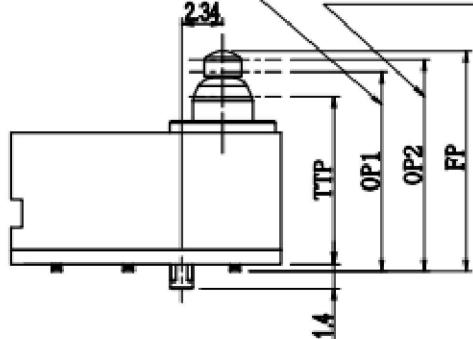


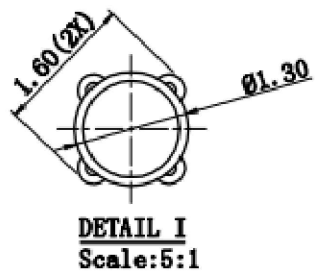
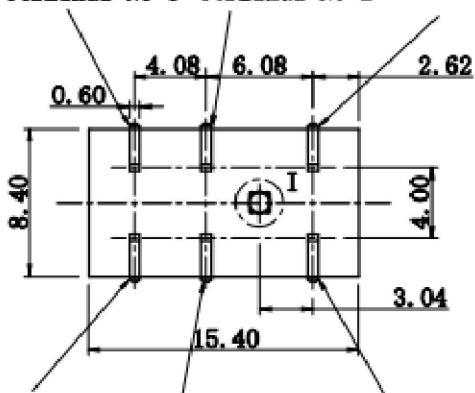
RoHS

CAD GENERATED DRAWING. DON'T CHANGE BY HAND.

Terminal NO. 1-3&4-6 Off position
 Terminal NO. 1-2&4-5 On position
 Terminal NO. 1-3&4-6 On position
 Terminal NO. 1-2&4-5 Off position



Terminal NO 3 Terminal NO 2 Terminal NO 1



Terminal NO 6 Terminal NO 5 Terminal NO 4

CHARACTERISTICS

Operating Force	150gf Max
Release Force	30gf Min
Free Position	13.00mm Max
Operation Position	11.70±0.4mm
Movement-Differential	0.30mm Max
Total Travel Position	10.40mm Min

ELECTRICAL DATA

CONTACT ARRANGEMENT D. P. D. T	SWITCH SEALING IP67
Ratings	
30V DC	0.1A
14V DC	10 μA

X. ±0.50	X.° ±2°	UNITS mm
.X ±0.30	.X° ±1°	
.XX ±0.10	.XX° ±0.5°	MAT'L /
.XXX ±0.05		
THESE DRAWINGS AND SPECIFICATIONS ARE THE PROPERTY OF YIYUAN TECHNOLOGY CO.,LTD AND SHALL NOT BE REPRODUCED, COPIED OR USED IN ANY MANNER WITHOUT THE PRIOR WRITTEN CONSENT OF YIYUAN TECHNOLOGY CO.,LTD		FINISH /
		Q' TY /

yi YUAN 深圳市怡远科技有限公司
 SHENZHEN YIYUAN TECHNOLOGY CO., LTD

PART NO. YTD-307-SA00	TITLE: DETECT SWITCH						
APPD: ROGER	DWG NO.: YTD-307-SA00						
CHKD: ROC	<table border="1"> <tr> <td>SCALE</td> <td>SHEET</td> <td>REV.</td> </tr> <tr> <td>1/1</td> <td>1/1</td> <td>A1</td> </tr> </table>	SCALE	SHEET	REV.	1/1	1/1	A1
SCALE		SHEET	REV.				
1/1	1/1	A1					
DR: BILLY WANG 2020/08/21							