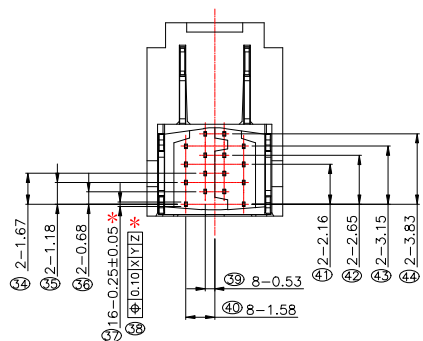
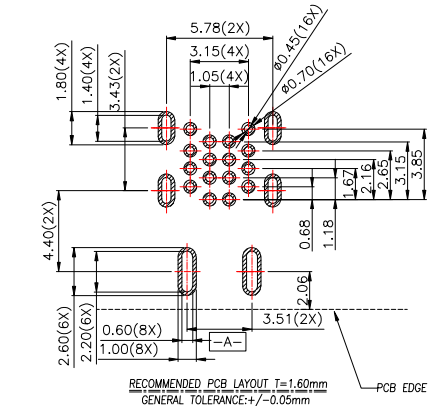
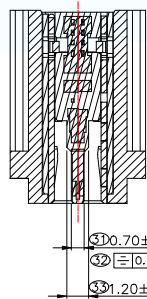
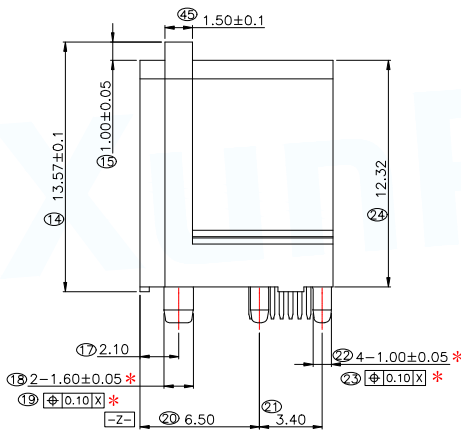
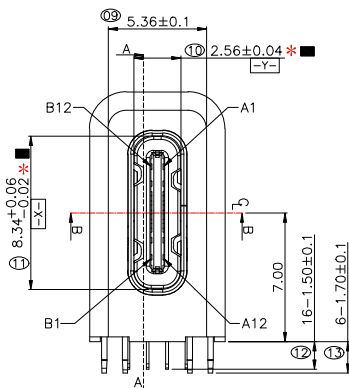
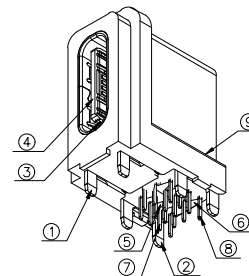


NOTE:

- Electrical Characteristics:
 - 1-1: Current Rating: 5A For Pin(A4,A9,B4,B9)
1.25A For Pin(B5)
0.25A For Others Pin
 - 1-2: VOLTAGE RATING:20V
 - 1-3: Insulation Resistance: 100MΩ Min.
 - 1-4: Contact Resistance:
VBUS & GND PINS AND OTHER PINS: 40mΩ/PIN MAX.
SHIELD:50mΩ/MAX.
SHIELD:LLCR MAX. CHANGE OF ALL PINS: 10mΩ.
 - 1-5: Dielectric Withstanding Voltage: 100V/AC 1Minute
- Mechanical Characteristics:
 - Insertion Force: 5~20N
 - Extraction Force: Initial: 8~20N
After durability: 6~20N
 - Durability :10000 Cycles
- Operating Temperature: -25°C TO +85°C
- 防水等级IPX4
- 注: 带“*”号为重点管控尺寸
“XX”为尺寸编码



PIN ASSINGMENT											
A1	A2	A3	A4	A5	A6	A7	A8	A9	A10	A11	A12
GND	\	\	VBUS	CC1	Dp1	Dn1	SBU1	VBUS	\	\	GND
GND	\	\	VBUS	SBU2	Dn2	Dp2	CC2	VBUS	\	\	GND
B12	B11	B10	B9	B8	B7	B6	B5	B4	B3	B2	B1

⑨ Jacket	1	LCP E130i,UL94 V-0	Black
⑧ Up Terminal	12	C7025-TM02,T=0.15	Contact Area:Pd Ni 0.30um Min, Au Solder Area:Au 0.05um Min Ni 2.0-5.0um over all
⑦ Down Terminal	12		
⑥ Up Moding	1	LCP E130i,UL94 V-0	Black
⑤ Down Moding	1		
④ Second Moding	1		
③ 冲壳片	1	SUS301-H,T=0.20	Ni 1.0-5.0um Underplating
② 内壳	1	SUS304-3/4H,T=0.30	Ni 1.0-5.0um Underplating
① 外壳	1	SUS304-3/4H,T=0.30	Ni 1.0-5.0um Underplating

NO.	NAME	QT'Y	MATERIAL	PLATING
-----	------	------	----------	---------

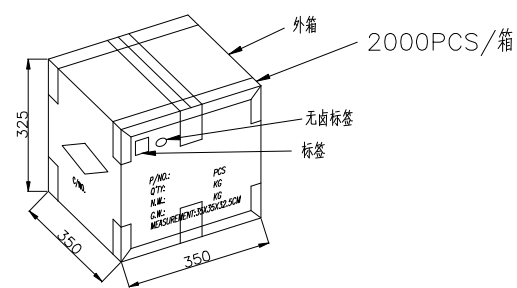
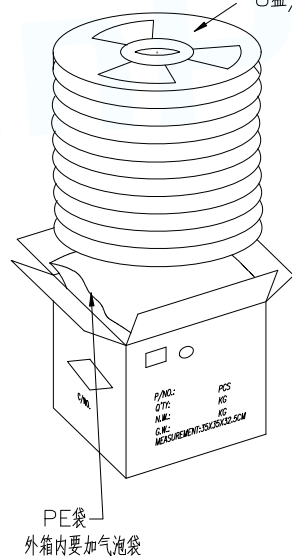
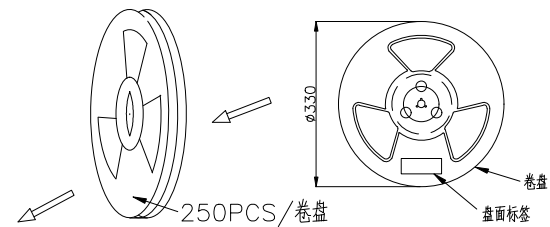
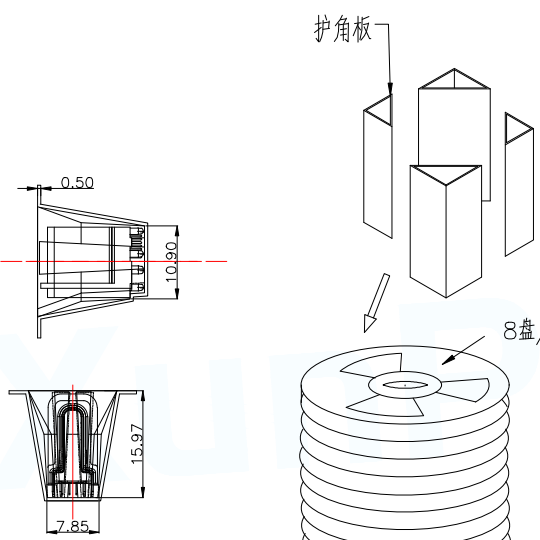
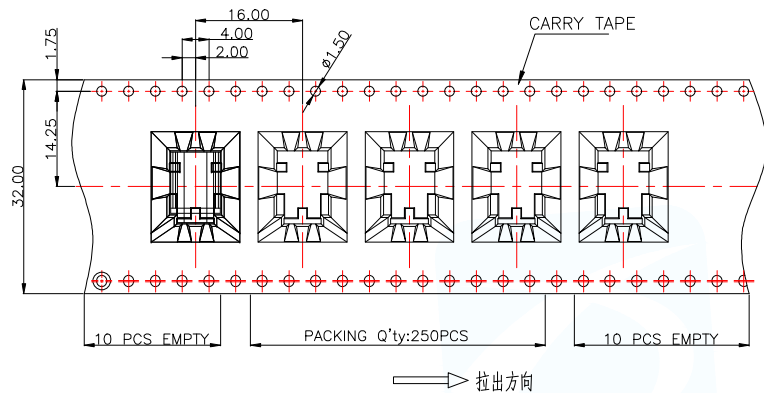
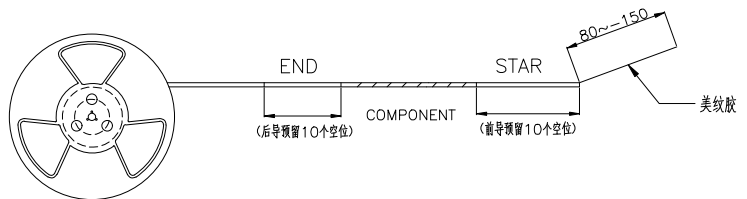
MANUFACTURE DWG
UNLESS OTHERWISE SPECIFIED TOLERANCES

东莞市讯普电子科技有限公司
DongGuan XunPu Electronics Co.,Ltd



TITLE:Type C Female16P CH7.0
防水 45W 侧立式

DECIMALS:	ANGLES:	PAR	TYPEC-313DCL-ARP16X4
.X:±0.30	X'.:±3°	DWN	
.XX:±0.20	X.X':±2°	CHKD	
.XXX:±0.10		APVD	
CUSTOMER COPY		SCALE1:1	UNIT:MM
		SIZE:A4	SHEET:1F1
			REV:A



备注:

1. 包材规格:

- 卷盘: $\phi 330 * W32mm$
- 卷带: $W=32 * P=16mm * T=0.5mm$ 透明防静电PET
- 三角纸板: $100 * 140 * 100mm, H=315mm, K=K$
- 自粘式上带: $W=25.5 * T=0.08mm$
- PE袋: $T0.007 * W65 * H65CM$
- 外箱: $350 * 350 * 325mm K=K$

- 2. 将产品依左图所示装入载带中, 产品前空10空格、后空10格, 再将上带与载带粘好, 绕完后用80-150mm长度的美纹胶粘在载带上, 250pcs/卷盘, 每卷盘都需贴卷盘装标签.
- 3. 将8个卷盘放入1个大PE防水袋, 装入外箱时要加气泡袋, 再将护角板装入外箱, 共计2000pcs/外箱.
- 4. 将装好产品外箱用透明胶带封成“工”形, 并在外箱左上角贴无卤标签, 物料标识区分用的“外箱标签”.

MANUFACTURE DWG			东莞市讯普电子科技有限公司 DongGuan XunPu Electronics Co.,Ltd	
UNLESS OTHERWISE SPECIFIED TOLERANCES			TITLE: Type C Female 16P CH7.0 防水 4.5W 侧立式 包装规范	
DECIMALS:	ANGLES:		PAR	TYPEC-313DCL-ARP16X4
.X: ± 0.30	X': $\pm 3^\circ$		DWN	
.XX: ± 0.20	X.X': $\pm 2^\circ$	CHKD		
.XXX: ± 0.10		APVD		
CUSTOMER COPY		SCALE 1:1	UNIT: MM	
		SIZE: A4	SHEET: 1F1	REV: A