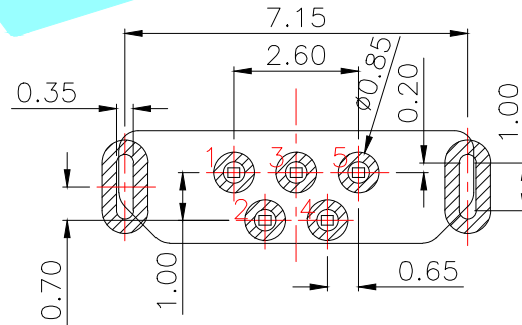
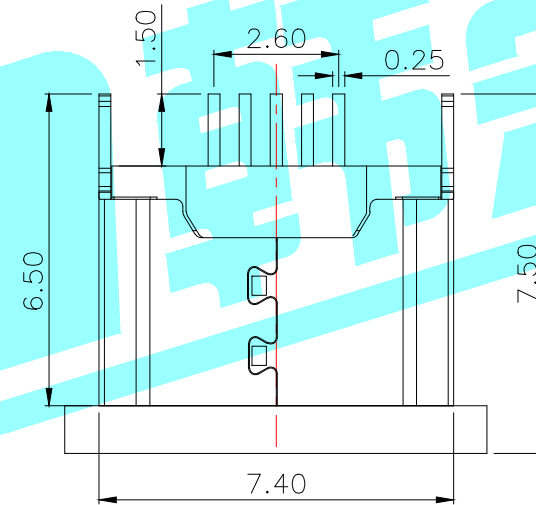
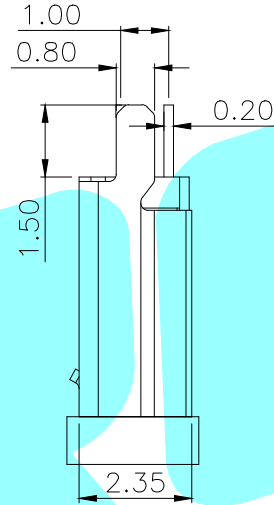
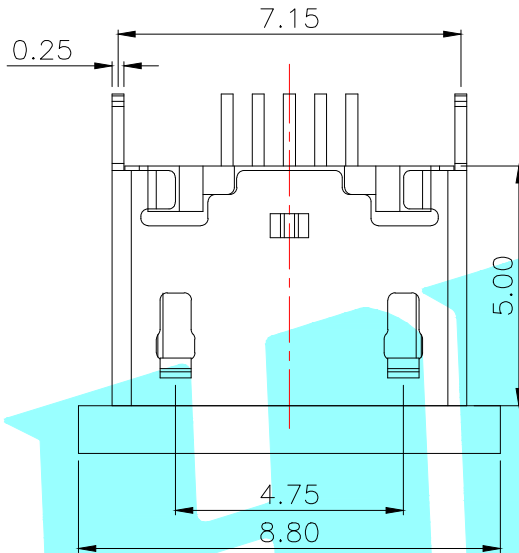
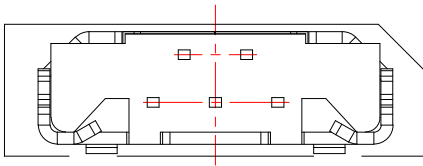


ROHS

Note:
Specification:

1. Current rating: 1,5PIN 1.8A Max/2,3,4PIN 1A Max.
2. Dielectric withstanding voltage: 100 V(ac) for 1 min.
3. Contact resistance: 30 mΩ Max.
4. Insulation resistance: 100 MΩ Min.
5. Total mating force: 3.57 Kgf Max.
6. Total unmating force: 1.0 Kgf Min.
7. Temperature range: -30°C~80°C



Recommended PCB Layout

③	Shell	—	1	SUS304	Ni Plated	—
②	Contact	—	5	Copper alloy	Au Plated	—
①	Housing	—	1	LCP	Black	—
ITEM	PART NAME	TER'NO.	QTY.	MATERIAL	FINISHING	REMARK

APPROVALS		DATE		 ELECTRONICS CO.,LTD			
DRAWN	LIUCAN	2021.9.27					
CHECKED				TITLE: USB CONNECTOR			
APPROVALS				PART NO. U-D-M5DD-W-1A			
TOLERANCES ARE		30~以上	±0.30	ANGLE	UNIT: mm	SCALE: 1:1	PROJ:
		10~30	±0.25				
		5~10	±0.20				
		~ 5	±0.15	±2'	DRAWING NO.		SHEET 1 OF 1

_____	A	_____	NEW	_____	_____	_____
ECN NO.	REV.	DATE.	DESCRIPTION.	CHANGE.	CHECK.	APPRO.