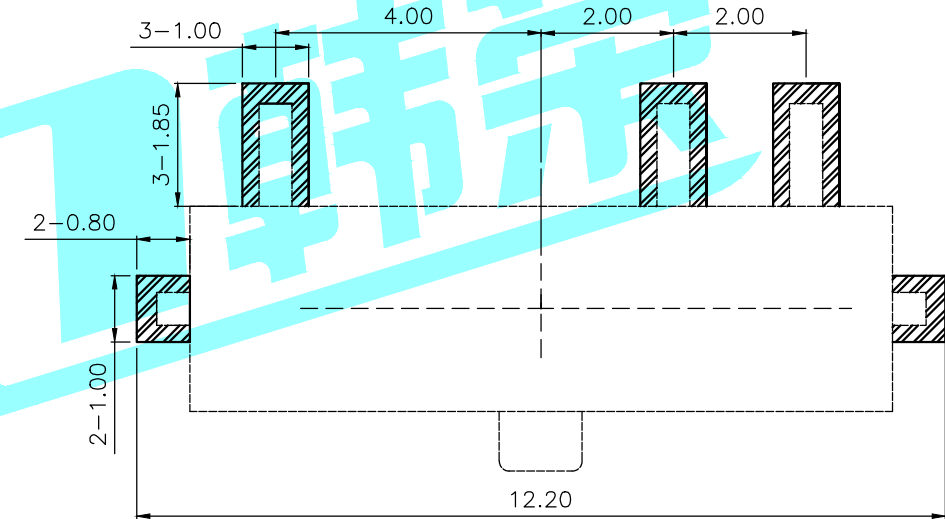
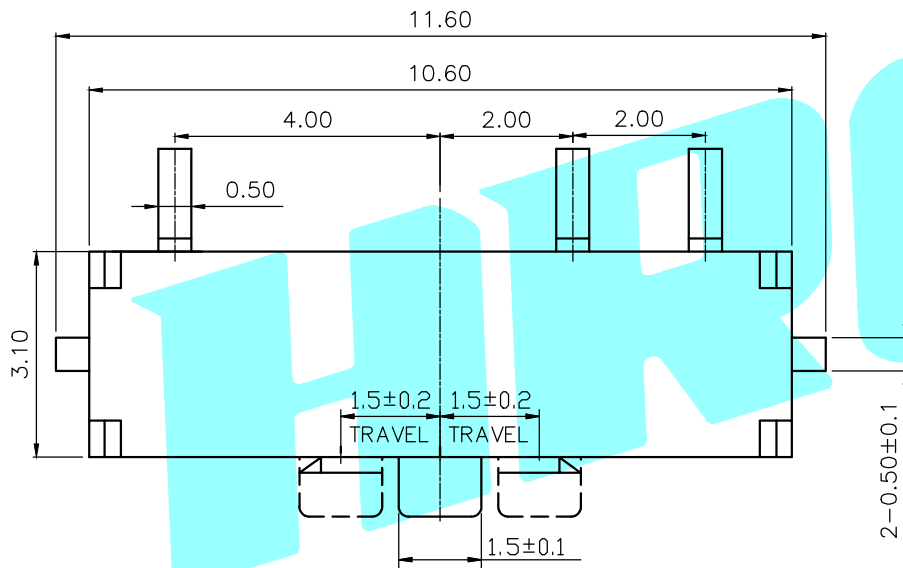


Schematic(Shorting)



P.C.B layout

Typical Specifications

- 1. Rating : 12V 0.1A DC
- 2. Operating force: 130±50gf
- 4. Operating Life : 10,000 cycles

| PART NO. | L |
|-------------|-----|
| K3-1392M-G1 | 0.9 |
| K3-1392M-E1 | 1.5 |

| ITEM | PART NAME | TER'NO. | QTY. | MATERIAL | FINISHING | REMARK |
|------|--------------|---------|------|-----------------|-----------|--------|
| ⑥ | Cover | — | 1 | Stainless Steel | Natural | — |
| ⑤ | Spring | — | 1 | Stainless Steel | Natural | — |
| ④ | Contact Clip | — | 1 | C5210 | Ag Clad | — |
| ③ | Knob | — | 1 | PA | DarkCyan | — |
| ② | Base | — | 1 | LCP | Black | — |
| ① | Terminal | — | 3 | Brass | Ag Plated | — |

| APPROVALS | | DATE | HRO 宏源 ELECTRONICS CO.,LTD | | | |
|----------------|------------|-------------|-------------------------------|-------------|----------------|--------------|
| DRAWN | JIANKUN.LU | 2015.5.25 | TITLE: | | SLIDE SWITCHES | |
| CHECKED | | | PART NO. | | | |
| APPROVALS | | | UNIT: mm | | SCALE: 1:1 | PROJ: |
| TOLERANCES ARE | | 30~以上 ±0.30 | ANGLE | DRAWING NO. | | SHEET 1 OF 1 |
| | | 10~30 ±0.20 | | | | |
| | | 5~10 ±0.15 | ±2' | | | |
| | | ~ 5 ±0.10 | | | | |

| ECN NO. | REV. | DATE. | DESCRIPTION. | CHANGE. | CHECK. | APPRO. |
|---------|------|-------|--------------|---------|--------|--------|
| | A | | NEW | | | |