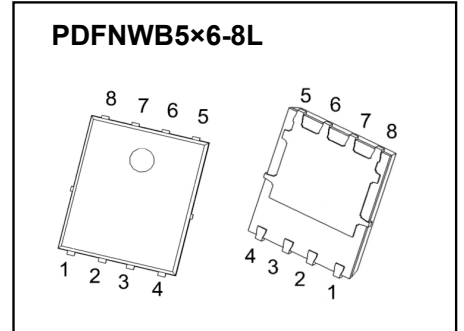




**PDFNWB5×6-8L Plastic-Encapsulate MOSFETS**

**CJAC13TH06 N-Channel Power MOSFET**

$V_{(BR)DSS}$	$R_{DS(on)TYP}$	$I_D$
60V	2.2mΩ@10V	130A
	3.0mΩ@4.5V	



**DESCRIPTION**

The CJAC13TH06 uses shielded gate trench technology and design to provide excellent  $R_{DS(ON)}$  with low gate charge. It can be used in a wide variety of applications

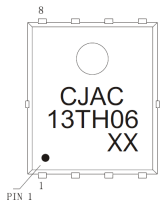
**FEATURES**

- High Power and current handing capability
- Load switch
- High density cell design for ultra low  $R_{DS(ON)}$
- Lead free product is acquired
- Good stability and uniformity with high  $E_{AS}$
- Excellent package for good heat dissipation

**APPLICATIONS**

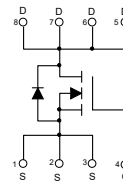
- SMPS and general purpose applications
- Hard switched and high frequency circuits
- Uninterruptible Power Supply
- Power management

**MARKING**



CJAC13TH06 = Part No.  
 Solid dot=Pin1 indicator.  
 XX= Code.

**EQUIVALENT CIRCUIT**



**ABSOLUTE MAXIMUM RATINGS ( $T_a=25^{\circ}C$  unless otherwise noted)**

Parameter	Symbol	Value	Unit
Drain-Source Voltage	$V_{DS}$	60	V
Gate-Source Voltage	$V_{GS}$	±20	
Continuous Drain Current	$I_D$ ①	130	A
Pulsed Drain Current	$I_{DM}$ ②	390	
Maximum Power Dissipation	$P_D$ ①	140	W
Single Pulsed Avalanche Energy	$E_{AS}$ ③	250	mJ
Thermal Resistance from Junction to Ambient	$R_{\theta JA}$ ⑥	62	°C/W
Thermal Resistance from Junction to Case	$R_{\theta JC}$ ①	0.89	°C/W
Operating Junction and Storage Temperature Range	$T_J, T_{stg}$	-55~+150	°C

# MOSFET ELECTRICAL CHARACTERISTICS

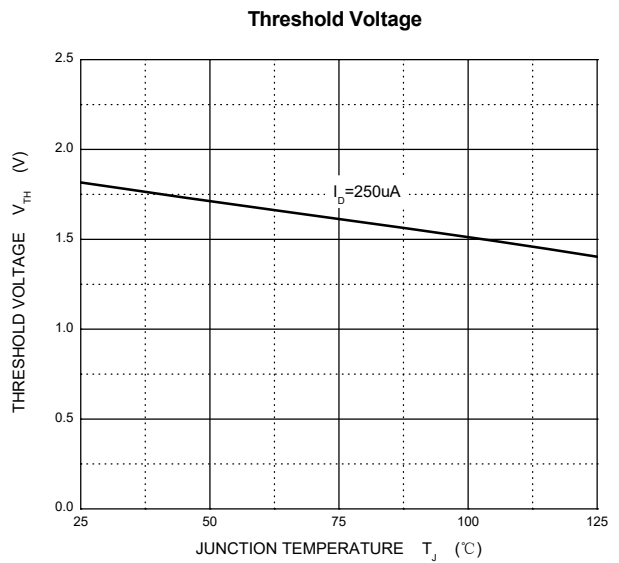
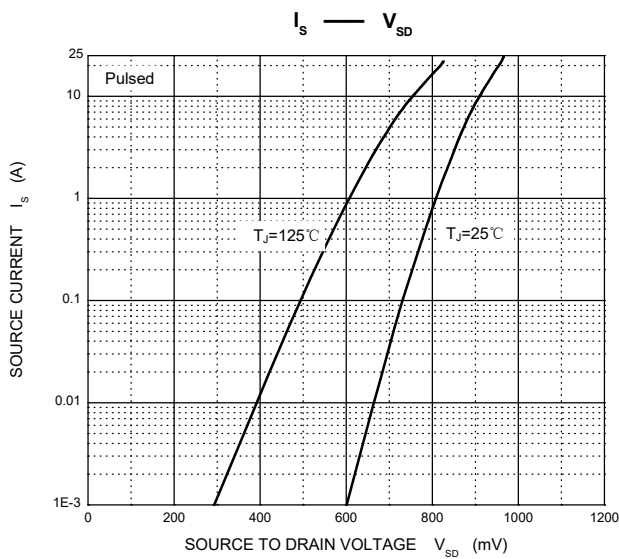
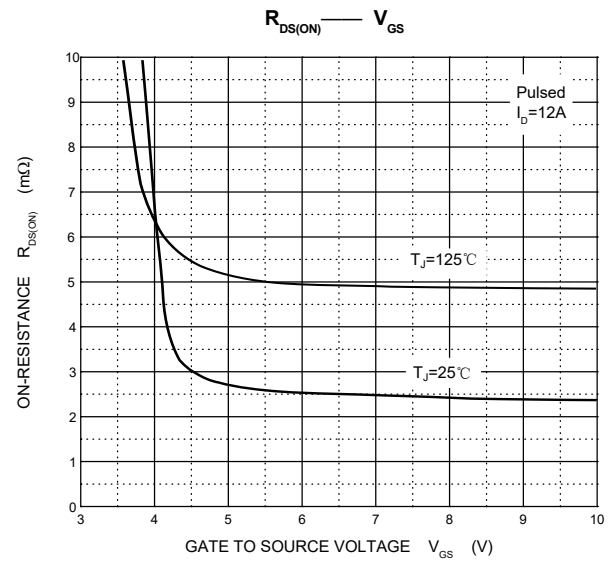
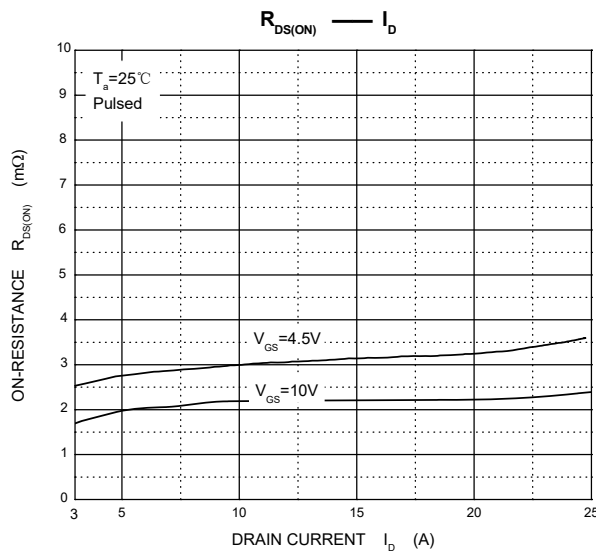
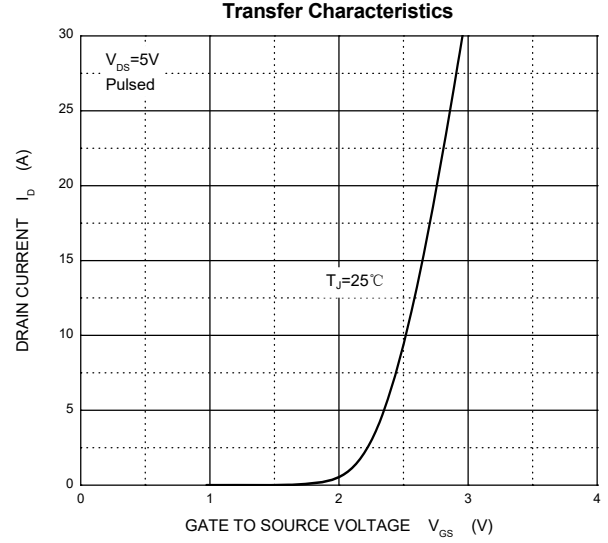
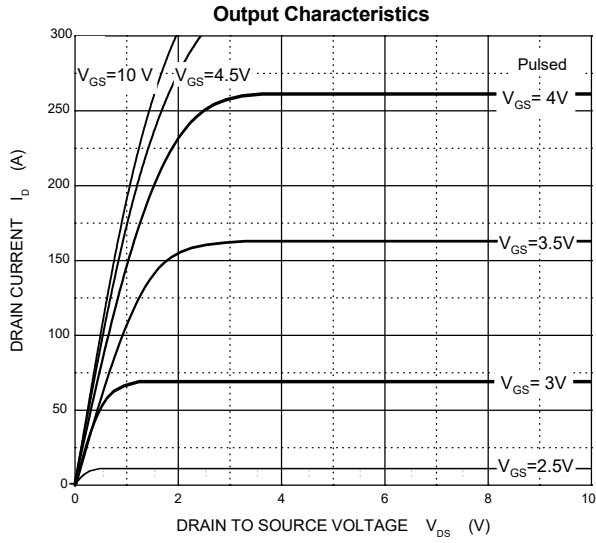
$T_a=25\text{ }^\circ\text{C}$  unless otherwise specified

Parameter	Symbol	Test Condition	Min	Type	Max	Unit
<b>Static Characteristics</b>						
Drain-source breakdown voltage	$V_{(BR)DSS}$	$V_{GS} = 0V, I_D = 250\mu A$	60			V
Zero gate voltage drain current	$I_{DSS}$	$V_{DS} = 48V, V_{GS} = 0V$	$T_J = 25\text{ }^\circ\text{C}$		1.0	$\mu A$
			$T_J = 125\text{ }^\circ\text{C}$		100	$\mu A$
Gate-body leakage current	$I_{GSS}$	$V_{GS} = \pm 20V, V_{DS} = 0V$			$\pm 100$	nA
Gate threshold voltage <sup>④</sup>	$V_{GS(th)}$	$V_{DS} = V_{GS}, I_D = 250\mu A$	1.0	1.8	2.5	V
Drain-source on-resistance <sup>④</sup>	$R_{DS(on)}$	$V_{GS} = 10V, I_D = 12A$		2.2	3.0	m $\Omega$
		$V_{GS} = 4.5V, I_D = 12A$		3.0	4.5	
<b>Dynamic characteristics <sup>④⑤</sup></b>						
Total gate charge	$Q_g$	$V_{DS} = 30V, V_{GS} = 10V, I_D = 25A$		63.7		nC
Gate-source charge	$Q_{gs}$			10.3		
Gate-drain charge	$Q_{gd}$			11.4		
Input Capacitance	$C_{iss}$	$V_{DS} = 25V, V_{GS} = 0V, f = 100kHz$		5298		pF
Output Capacitance	$C_{oss}$			1635		
Reverse Transfer Capacitance	$C_{rss}$			74.8		
<b>SWITCHING PARAMETERS <sup>④⑤</sup></b>						
Turn-on delay time	$t_{d(on)}$	$V_{GS} = 10V, V_{DS} = 30V, R_G = 2\Omega, I_D = 25A$		21.8		ns
Turn-on rise time	$t_r$			6.3		
Turn-off delay time	$t_{d(off)}$			78.5		
Turn-off fall time	$t_f$			27.1		
<b>Source-Drain Diode characteristics</b>						
Body diode voltage	$V_{SD}$ <sup>④</sup>	$I_S = 20A, V_{GS} = 0V$			1.3	V

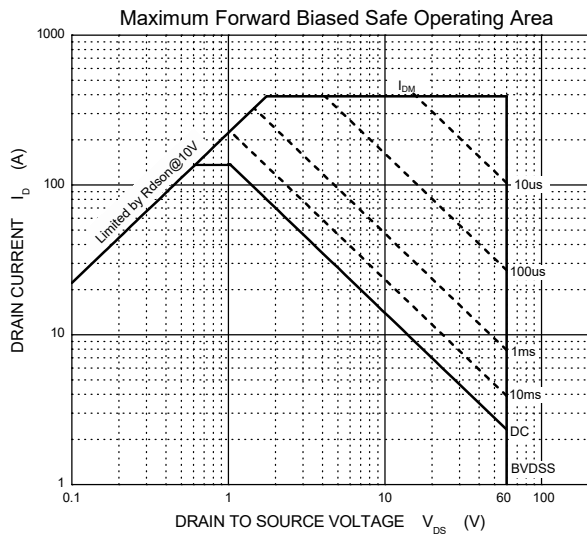
## Notes:

- $V_{GS} \leq 20V$  Limited only by maximum temperature allowed.
- $P_{W} \leq 10\mu s$ , Duty cycle  $\leq 1\%$ .
- EAS condition:  $V_{DD} = 30V, V_{GS} = 10V, L = 0.1mH, R_G = 25\Omega$  Starting  $T_J = 25\text{ }^\circ\text{C}$ .
- Pulse Test : Pulse Width  $\leq 300\mu s$ , duty cycle  $\leq 2\%$ .
- Guaranteed by design, not subject to production.
- The value of  $R_{\theta JA}$  is measured with the device mounted on 1 in 2 FR-4 board with 2oz. Copper, in a still air environment with  $T_a = 25\text{ }^\circ\text{C}$ .

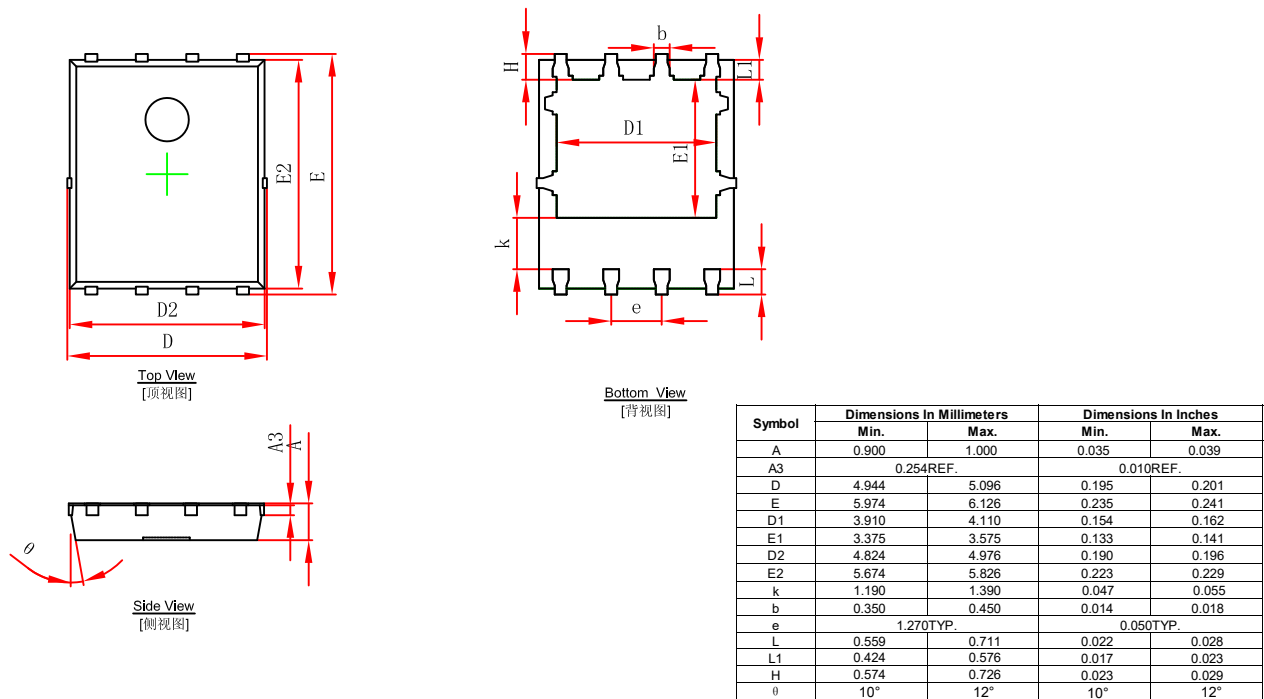
# Typical Characteristics



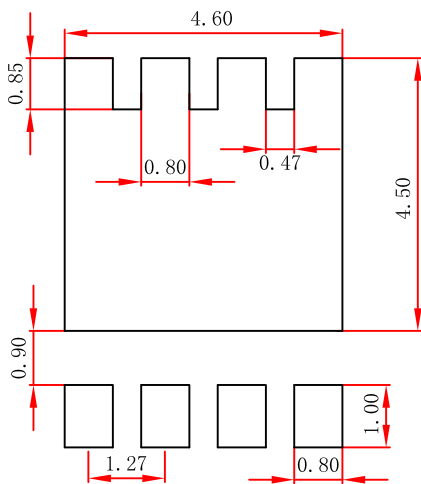
# Typical Characteristics



## PDFNWB5x6-8L Package Outline Dimensions



## PDFNWB5x6-8L Suggested Pad Layout



**Note:**

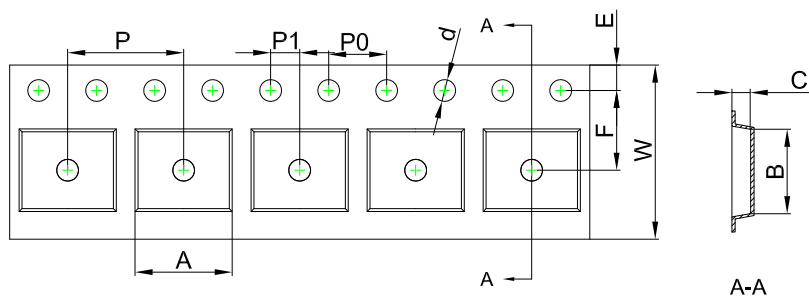
1. Controlling dimension: in millimeters.
2. General tolerance:  $\pm 0.05\text{mm}$ .
3. The pad layout is for reference purposes only.

**NOTICE**

JSCJ reserves the right to make modifications, enhancements, improvements, corrections or other changes without further notice to any product herein. JSCJ does not assume any liability arising out of the application or use of any product described herein.

# PDFNWB5×6 Tape and Reel

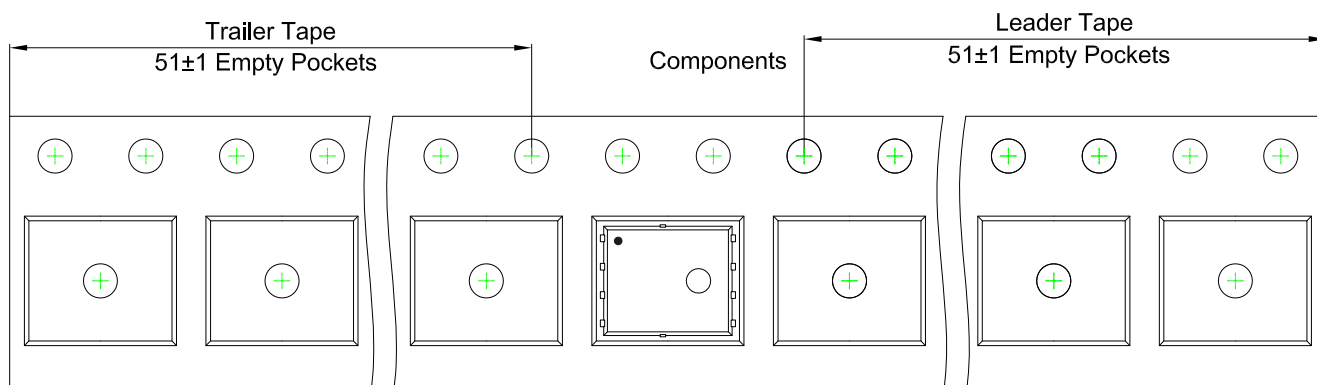
## PDFNWB5×6-8L Embossed Carrier Tape



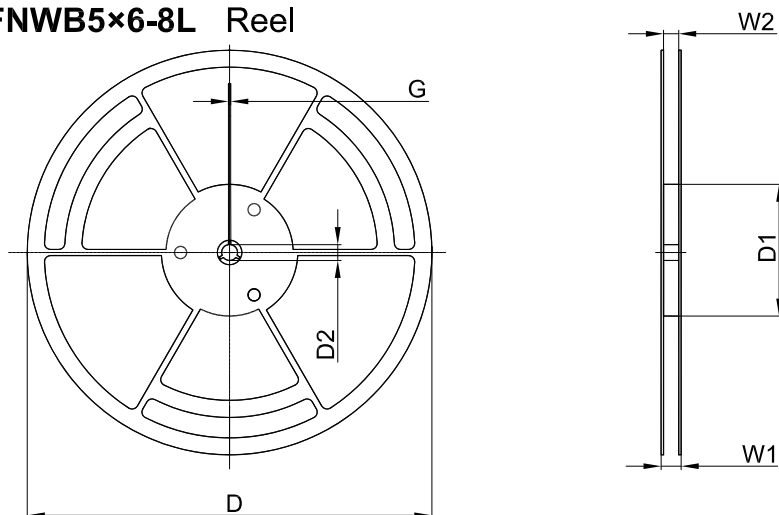
**Packaging Description:**  
**PDFNWB5×6-8L** parts are shipped in tape. The carrier tape is made from a dissipative (carbon filled) polycarbonate resin. The cover tape is a multilayer film (Heat Activated Adhesive in nature) primarily composed of polyester film, adhesive layer, sealant, and anti-static sprayed agent. These reeled parts in standard option are shipped with 5,000 units per 13" or 33.0 cm diameter reel. The reels are clear in color and is made of polystyrene plastic (anti-static coated).

Dimensions are in millimeter										
Pkg type	A	B	C	d	E	F	P0	P	P1	W
PDFNWB5×6-8L	6.30	5.30	1.10	Ø1.50	1.75	5.50	4.00	8.00	2.00	12.00

## PDFNWB5×6-8L Tape Leader and Trailer



## PDFNWB5×6-8L Reel



Dimensions are in millimeter						
Reel Option	D	D1	D2	G	W1	W2
13"Dia	Ø330.00	100.00	13.00	1.90	17.60	12.40

REEL	Reel Size	Box	Box Size(mm)	Carton	Carton Size(mm)
5,000 pcs	13 inch	5,000 pcs	340×336×29	50,000 pcs	353×346×365