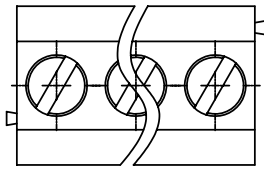


SIGN	DATE	DESCRIPTION	APPROVER
△	04/20/10	Add the tolerance table	Tason
△	10/19/10	Add the "cUL"	Tason
<i>THIS IS CAD DRAWING, DO NOT REVISE MANUALLY!!!</i>			



N = Number of poles
 Dim A = (N-1) X 3.5
 Dim B = N x 3.5 △

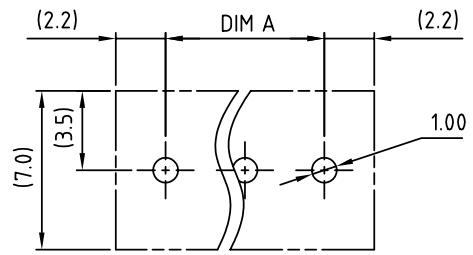
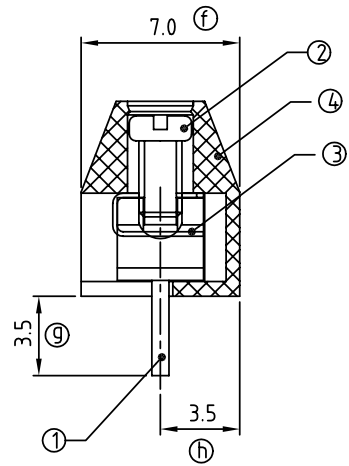
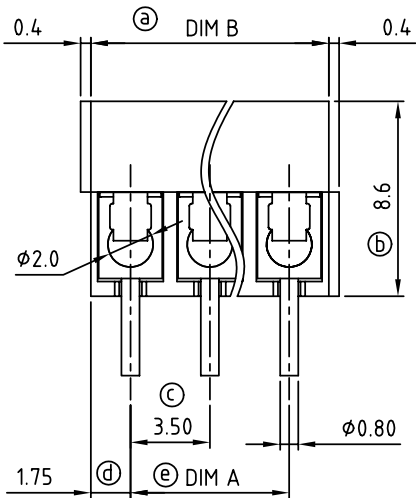
	Dim A	Dim B
2P	±0.10	±0.10
3-6p	±0.15	±0.15
7-12p	±0.20	±0.20
13-18p	±0.30	±0.30
19-24p	±0.40	±0.40

Material

- Item ① Terminal body(metal housing): Brass(CuZn),Tin plated
- Item ② Terminal screw: Steel Zinc plating "-" slot type
- Item ③ Wire guard: Stainless steel
- Item ④ Insulator (housing): Thermoplastic (UL94V-0)

Electrical UL/CUL

- Voltage rating: 125VAC/125V
- Current rating: 10A/10A
- Wire range:
- Solid wire(AWG): 16-26/16-26
- Stranded wire(AWG): 16-26/16-16
- Torque(Lb-In): 1.7/1.7
- Screw: M2
- Wire strip length: 5-6mm
- Withstanding Voltage: 1.25KV
- Operating temperature: -40°C to +115°C
- Soldering temperature: 250°C±10°C/5 Sec
- Safety Approval:



P.C.B. LAYOUT

T5 xx 01 x 0 xxxx G

02 2 CONTACTS	COLOR	0000: "@ " Logo	RoHS
03 3 CONTACTS	0 Black (RAL9005)	000A: "ANYTEK" Logo	Pb<40,000ppm
... ..	5 Green(RAL6018/T)	Any special item by	
24 24 CONTACTS	6 Blue (RAL5015/A)	customer request.	
	8 Grey(RAL7035/D)	please contact sales	
		department.	

<h1>ANYTEK</h1>		<h2>CUSTOMER COPY</h2>											
		ALL RIGHTS RESERVED. REPRODUCTION OR ISSUE TO THIRD PARTIES IN ANY FORM WHATSOEVER IS NOT PERMITTED WITHOUT WRITTEN AUTHORITY FROM THE PROPRIETOR. PROPERTY OF ANYTEK TECHNOLOGY CO., LTD											
TITLE	T5-3.5mm Series			DWG NO.	8T50001								
PART NO.	T5xx01x0xxxxG			CUST NO.									
APPROVED	CHECKED	DESIGNED	DRAWN	 UNIT: mm SCALE: NONE SHEET: 01/01 REV.: F									
		Tason 2010.10.19	Tason 2010.04.20										
				<table border="0"> <tr> <td>X.</td> <td>±0.50</td> </tr> <tr> <td>X.X</td> <td>±0.30</td> </tr> <tr> <td>X.XX</td> <td>±0.10</td> </tr> <tr> <td>X°</td> <td>±1°</td> </tr> </table>		X.	±0.50	X.X	±0.30	X.XX	±0.10	X°	±1°
X.	±0.50												
X.X	±0.30												
X.XX	±0.10												
X°	±1°												