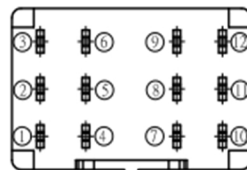
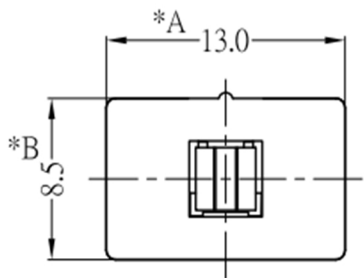


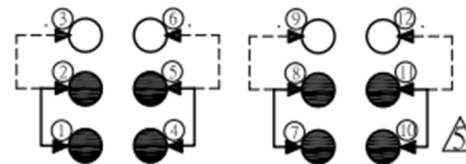
RoHS

CAD GENERATED DRAWING. DON'T CHANGE BY HAND.

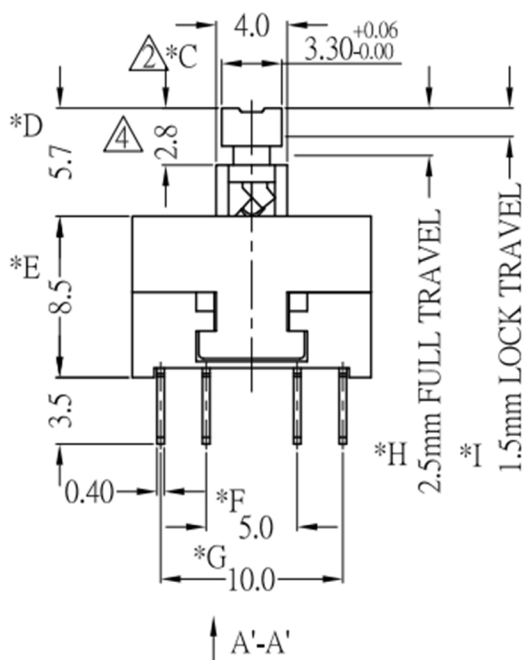
REV.	ECN. NO.	APPD.



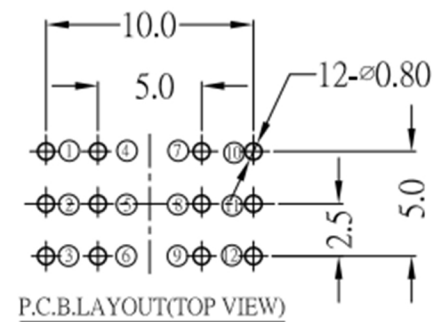
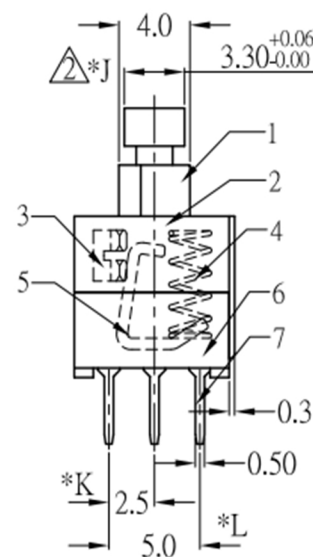
△ A'-A' VIEW



SCHEMATIC



↑ A'-A'



P.C.B.LAYOUT(TOP VIEW)

* CRITICAL DIMENSION

7	TERMINAL	12	C2680R-EH	Ag COATING
6	CASE	1	PBT	BLACK/GREY
5	CAM STICK	1	SUS	NATURAL
4	SPRING	1	SUS	NATURAL
3	CONTACT	4	C5210R-EH	Ag CLAD
2	COVER	1	PA66	BLACK
1	KNOB	1	POM	WHITE
NO.	PART NAME	Q' TY	MATERIAL	FINSH/COLOR

X.	±0.50	X.°	±2°
.X	±0.30	.X°	±1°
.XX	±0.10	.XX°	±0.5°
.XXX	±0.05		
THESE DRAWINGS AND SPECIFICATIONS ARE THE PROPERTY OF YIYUAN TECHNOLOGY CO.,LTD AND SHALL NOT BE REPRODUCED, COPIED OR USED IN ANY MANNER WITHOUT THE PRIOR WRITTEN CONSENT OF YIYUAN TECHNOLOGY CO.,LTD			

UNITS	mm
MAT'L	/
FINISH	/
Q' TY	/

	深圳市怡远科技有限公司 SHENZHEN YIYUAN TECHNOLOGY CO., LTD							
	PART NO. YTSPS-42E85L1	TITLE: TACTILE SWITCH						
APPD: ROGER	DWG NO. : YTSPS-42E85L1							
CHKD: ROC	<table border="1"> <tr> <td>SCALE</td> <td>SHEET</td> <td>REV.</td> </tr> <tr> <td>1/1</td> <td>1/1</td> <td>A1</td> </tr> </table>		SCALE	SHEET	REV.	1/1	1/1	A1
SCALE	SHEET	REV.						
1/1	1/1	A1						
DR: BILLY WANG 2020/08/21								