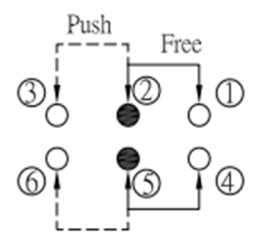
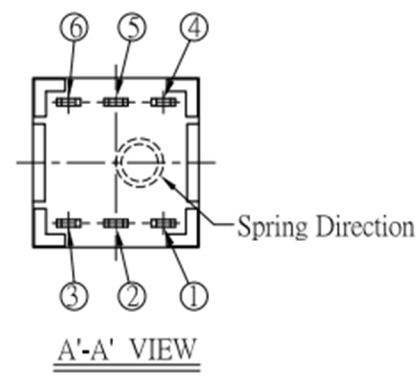
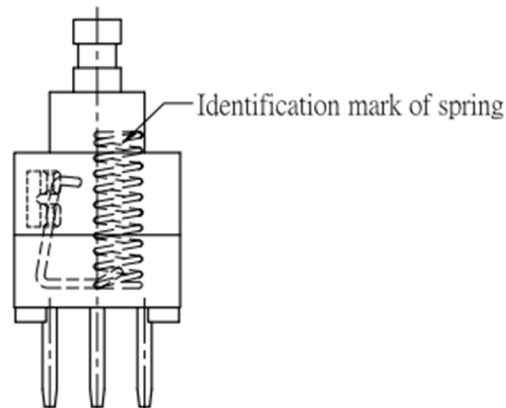
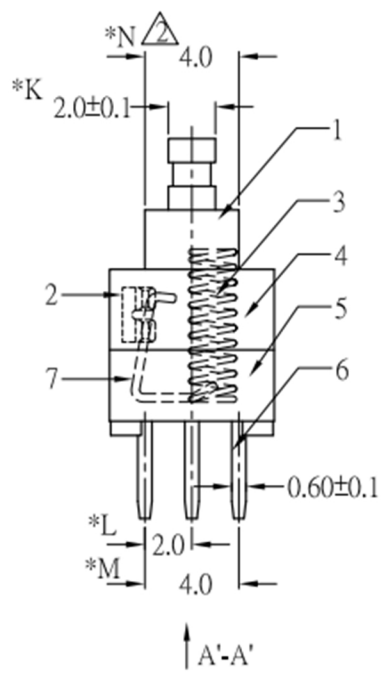
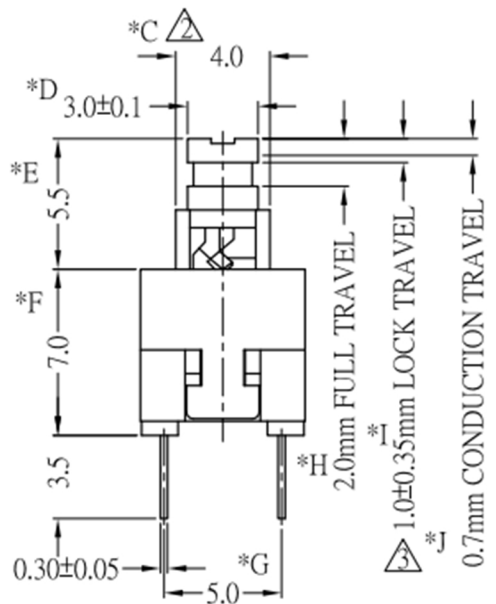
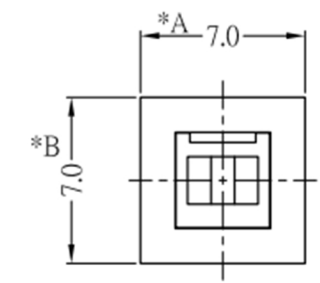


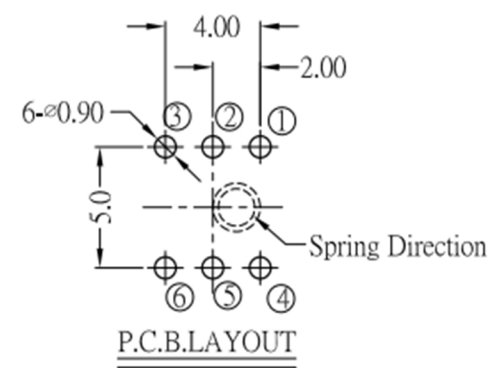
RoHS

CAD GENERATED DRAWING. DON'T CHANGE BY HAND.

REV.	ECN. NO.	APPD.



SCHEMATIC



P.C.B.LAYOUT

* CRITICAL DIMENSION

7	CAM STICK	1	SUS WIRE	NATURAL
6	TERMINAL	6	BRASS STRIP	Ag COATING
5	CASE	1	PA66	BLACK
4	COVER	1	POM	WHITE
3	SPRING	1	SUS	NATURAL
2	CONTACT	2	PBS	Ag CLAD
1	KNOB	1	POM	BLUE
NO.	PART NAME	Q' TY	MATERIAL	FINSH/COLOR

X.	±0.50	X.°	± 2°	UNITS mm
.X	±0.30	.X°	± 1°	
.XX	±0.10	.XX°	± 0.5°	MAT'L /
.XXX	±0.05			
THESE DRAWINGS AND SPECIFICATIONS ARE THE PROPERTY OF YIYUAN TECHNOLOGY CO.,LTD AND SHALL NOT BE REPRODUCED, COPIED OR USED IN ANY MANNER WITHOUT THE PRIOR WRITTEN CONSENT OF YIYUAN TECHNOLOGY CO.,LTD				FINISH /
				Q' TY /

	深圳市怡远科技有限公司 SHENZHEN YIYUAN TECHNOLOGY CO., LTD							
	PART NO. YTSPS-22E70L	TITLE: TACTILE SWITCH						
APPD: ROGER	DWG NO. : YTSPS-22E70L							
CHKD: ROC								
DR: BILLY WANG 2020/08/21								
		<table border="1"> <tr> <td>SCALE</td> <td>SHEET</td> <td>REV.</td> </tr> <tr> <td>1/1</td> <td>1/1</td> <td>A1</td> </tr> </table>	SCALE	SHEET	REV.	1/1	1/1	A1
SCALE	SHEET	REV.						
1/1	1/1	A1						