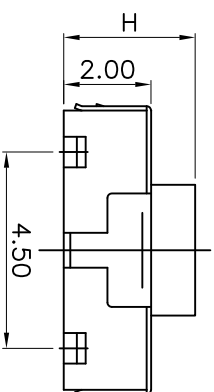
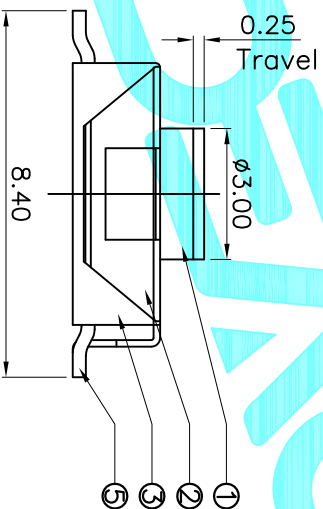
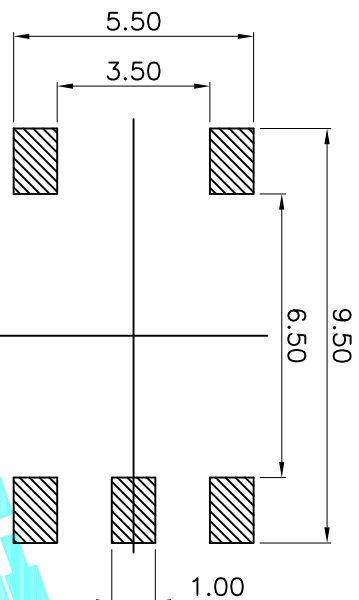
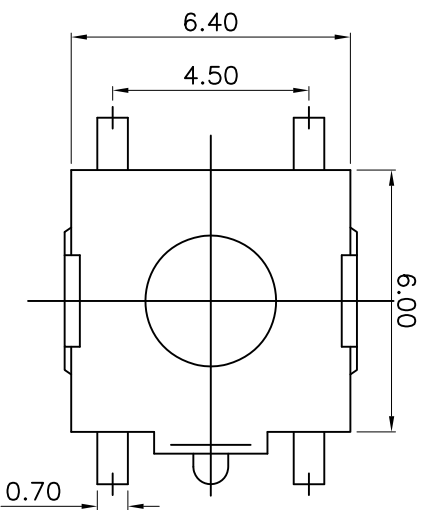




Circuit Diagram



| NO.1 | |
|---------|-----|
| PART NO | H |
| XX | 2.5 |
| XX | 2.7 |
| XX | 3.1 |
| XX | 3.4 |
| XX | 5.5 |

| NO.2 | |
|---------|---------|
| PART NO | vigor |
| 070 | 70±30 |
| 100 | 100±50 |
| 160 | 160±50 |
| 250 | 250±50 |
| 320 | 320±80 |
| 350 | 350±80 |
| 520 | 520±130 |

| ITEM | PART NAME | QTY. | MATERIAL | FINISHING |
|------|-----------|------|--------------|----------------|
| ⑤ | Terminal | 4 | Copper(0.3t) | Plating silver |
| ④ | Contact | 1 | F.Ag/CS210 | Natural |
| ③ | Base | 1 | Nylon | Black |
| ② | Cover | 1 | Brass(0.15t) | Plating Nickel |
| ① | Key/stoke | 1 | Nylon | Red |

| APPROVALS | | DATE | TITLE: | |
|---------------------|----------|-------------|---------------------|--------------|
| DRAWN | G.M.Chen | 2015/1/9 | TACT SWITCHES | |
| CHECKED | | | ELECTRONICS CO.,LTD | |
| APPROVALS | | | DEALON 德之隆® | |
| DRAWN | | DATE | PART NO. | SCALE: 1:1 |
| CHECKED | | | TD-1125SE-XXH-XXX | SHEET 1 OF 1 |
| APPROVALS | | | | PROJ. |
| TOLERANCES ARE | | | | |
| 30 ^{±0.15} | ±0.30 | ANGLE | | |
| 10 ^{±0.10} | ±0.20 | UNIT: mm | | |
| 5 ^{±0.10} | ±0.15 | DRAWING NO. | | |
| ECN NO. | REV. | DATE. | DESCRIPTION. | CHANGE. |
| | A | | NEW | CHECK. |
| | | | | APPRO. |