

NOTES1:

- UL Standard
- 1. Rated voltage/current : 600V / 40A
- 2. Withstanding voltage : AC1600V/1Min.
- 3. Wire range : 24~8AWG

IEC Standard

1. Pollution degree	2	2	3
Overvoltage category	II	III	III
Rate impulse voltage(KV)	8KV	8KV	8KV
Rate voltage(V)	1000V	1000V	630V
Rate current(A)	41A		

- 2. Wire range : 0.2~6mm<sup>2</sup>

NOTES2:

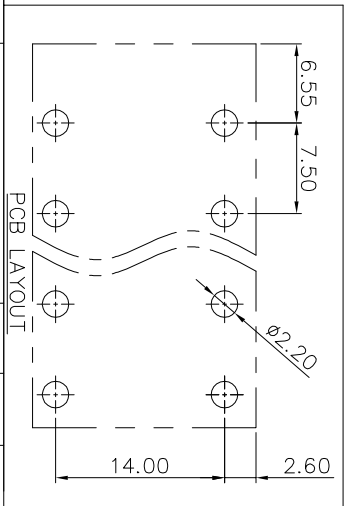
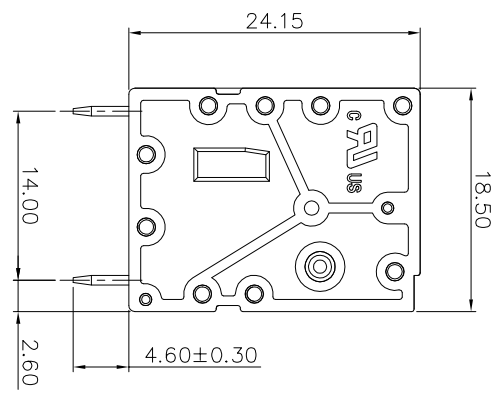
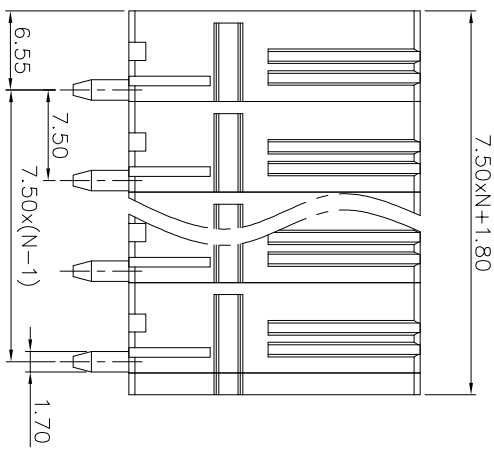
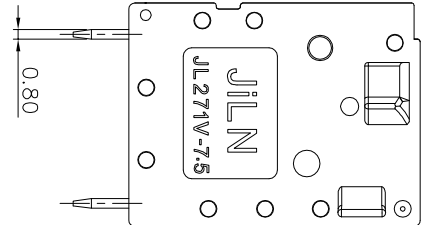
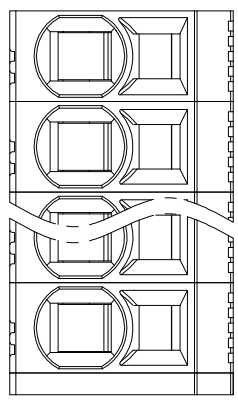
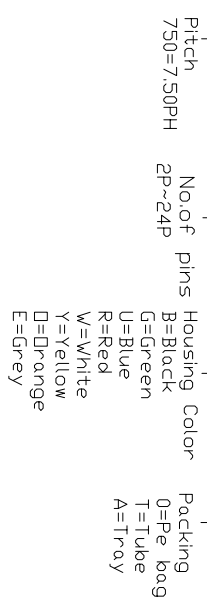
- 1. Dimension shall be interpreted per ASME Y14.5-2009
- 2. Pitch : 7.50mm, Poles : N=02~24P
- 3. Stripping length : 14~15mm
- 4. Operating temperature : -40°C~+105°C
- 5. Undimensioned tolerances:

Pitch range in mm	Nominal dimension range			mm
	Over	TO	Under	
6	10	30	60	0.1/10
10	24	60	100	<
15	30	60	150	<
±0.15	±0.30	±0.50	±0.70	±1.30

- 6. RoHS Compliance

**Ordering Information**

**JL271V - 750 XX G 0 1**



REVISION RECORD				
REV	ECN	DESCRIPTION	DRFT	DATE
A0		NEW		21.06.30

DRAW	SHUANGPING ZHENG		SCALE	FIT	PART NO.	TITLE:
	UNIT	mm				
CHECK	LICHAD LIU		SIZE	A4	JL271V-750XXG01	JL271V-7.5-XXP弹簧式/直脚/双排/绿色
	SHEET	1/1				
APPROVE	YONGLIANG GAO	PRD				

**jiln** 东莞市锦凌电子有限公司  
DONGGUAN JINLING ELECTRONIC CO., LTD