

NOTES1:

- UL Standard
 1. Rated voltage/current : 300V / 20A
 3. Torque value : M2.5 , 3.5Lb.in
 4. Wire range : 30~12AWG

IEC Standard

1. Rated voltage/current : 450V / 24A
 2. Torque value : M2.5 , 0.4N·m
 3. Wire range : 0.5~2.5mm²

NOTES2:

1. Dimension shall be interpreted per ASME Y14.5-2009
 2. Pitch : 7.50mm, Poles : N=02~16P
 3. Stripping length : 12~13mm
 4. Withstanding voltage : AC2500V/1Min
 5. Operating temperature: -40°C~+105°C
 6. Undimensioned tolerances:

Pitch range in mm		Nominal dimension range in mm		Tolerance	
Over	TO	Over	TO	Over	TO
6	10	30	60	100	150
10	24	30	60	100	150
				±0.15	±0.20
				±0.30	±0.50
				±0.70	±1.00
				±1.30	±2.00

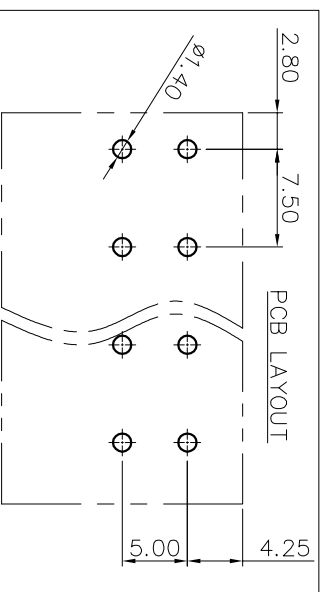
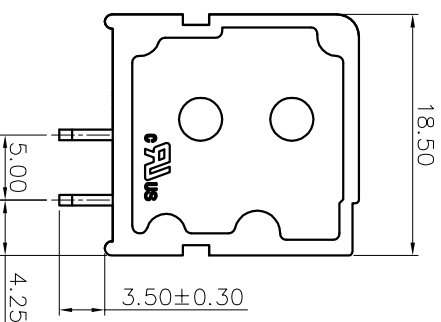
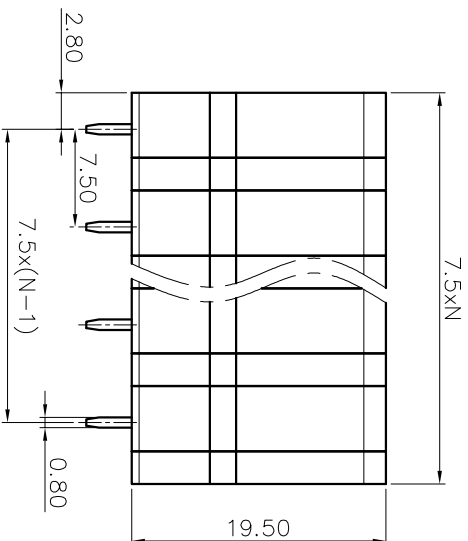
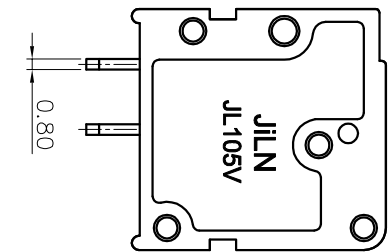
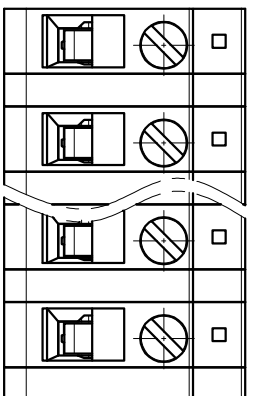
7. RoHS Compliance

Ordering Information

JL105V-750 XX G 0 1

Pitch 750=7.5PH No. of pins 2P~24P Housing Color B=Black G=Green U=Blue R=Red W=White Y=Yellow D=Orange E=Grey

Packaging 0=Pe bag T=Tube A=Tray



REVISION RECORD			
REV	ECN	DESCRIPTION	DATE
A0		NEW	21.08.16

DRAW	SHUANGPING ZHENG	SCALE	FIT	JILIN [®] 东莞市锦凌电子有限公司 DONGGUAN JINLING ELECTRONIC CO., LTD
CHECK	LICHAD LIU	UNIT	mm	
APPROVE	YONGLIANG GAO	SIZE	A4	
		SHEET	1/1	PART NO.
		PRD		JL105V-750XXG01
				TITLE:
				JL105V-7.5-XXP 螺钉式直脚绿色